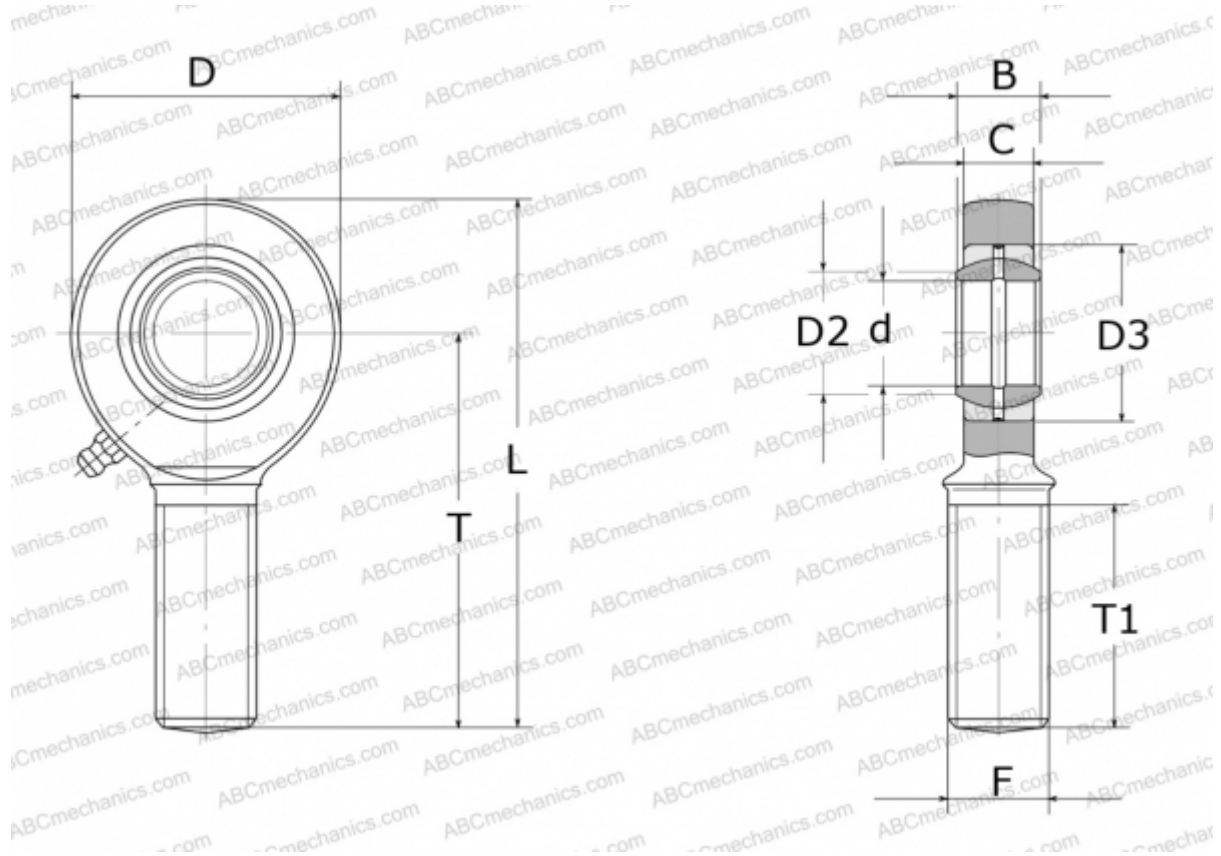


GAR 6 DO INA

TYPE: Plain bearings, Spherical plain bearings and rod ends, Rod ends, Requiring maintenance, With external thread, open design, right hand thread, series GAR...-DO (INA)



Technical specification

DIMENSIONS, MM

| | |
|----|--------|
| d | 6,000 |
| D | 21,000 |
| D2 | 8,000 |
| D3 | 14,000 |
| B | 6,000 |
| L | 46,500 |
| T | 36,000 |
| T1 | 18,000 |
| C | 4,400 |
| F | M6 |

MANUFACTURER [INA](#)