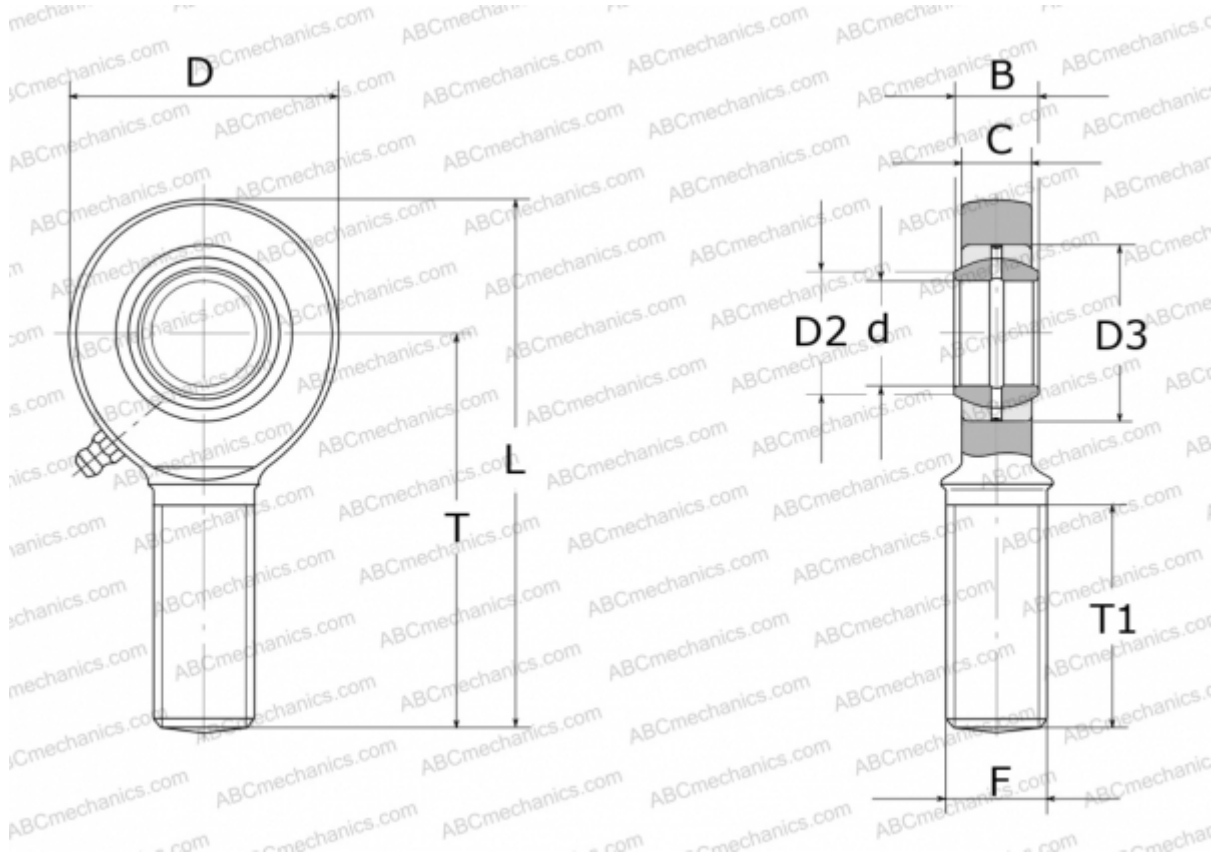


GAL 20 DO INA

TYPE: Plain bearings, Spherical plain bearings and rod ends, Rod ends, Requiring maintenance, With external thread, open design, left hand thread, series GAL..-DO (INA)



Technical specification

DIMENSIONS, MM

d	20,000
D	53,000
D2	24,200
D3	35,000
B	16,000
L	104,500
T	78,000
T1	43,000
C	13,000
F	M20X1.5

MANUFACTURER

[INA](#)