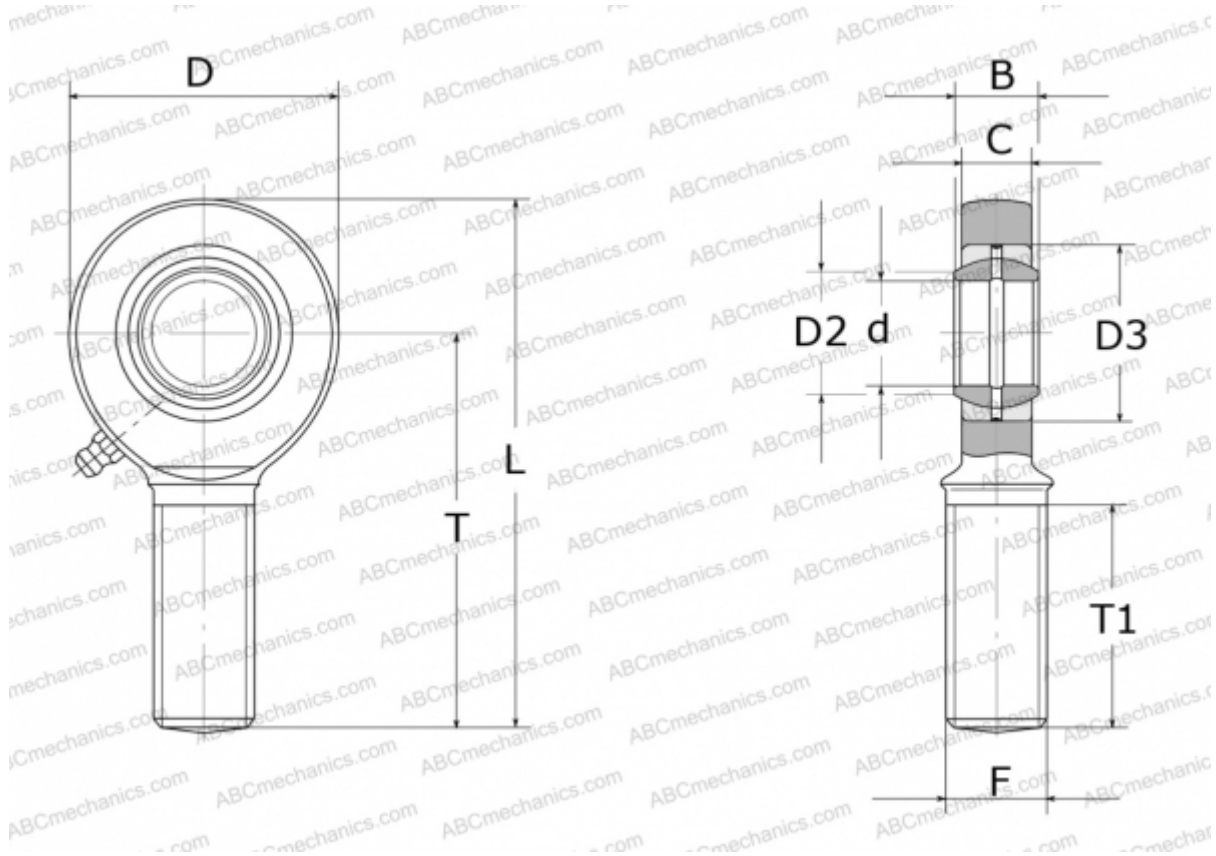


## GAL 30 DO INA

TYPE: Plain bearings, Spherical plain bearings and rod ends, Rod ends, Requiring maintenance, With external thread, open design, left hand thread, series GAL..-DO (INA)



### Technical specification

#### DIMENSIONS, MM

|    |         |
|----|---------|
| d  | 30,000  |
| D  | 73,000  |
| D2 | 34,200  |
| D3 | 47,000  |
| B  | 22,000  |
| L  | 146,500 |
| T  | 110,000 |
| T1 | 65,000  |
| C  | 19,000  |
| F  | M30X2   |

#### MANUFACTURER

[INA](#)