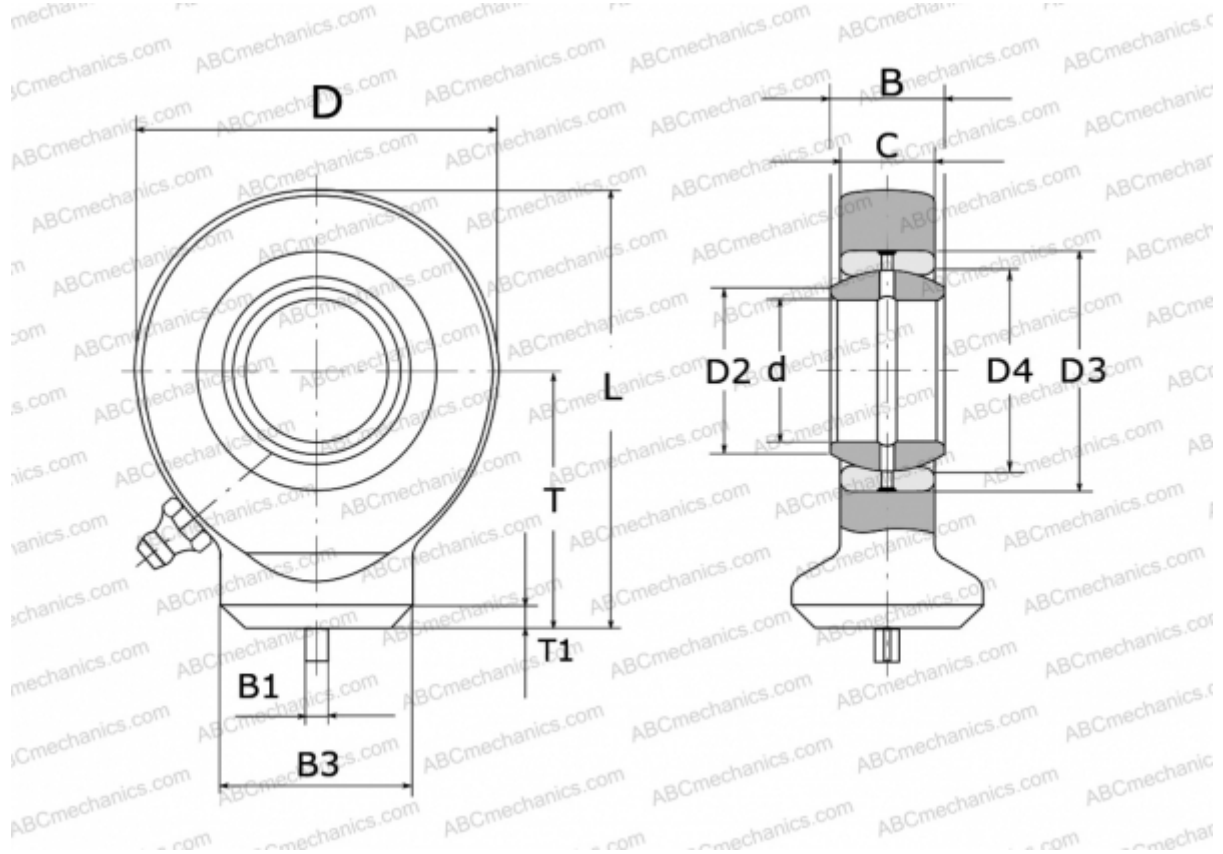


## GK 15 DO INA

TYPE: Plain bearings, Spherical plain bearings and rod ends, Rod ends, Hydraulic, Requiring maintenance, with circular welding face, open design, DIN ISO 12240-4, series GK.-DO (INA)



### Technical specification

#### DIMENSIONS, MM

d	15,000
D	40,000
D2	18,400
D3	26,000
D4	22,000
B	12,000
B1	4,000
B3	21,000
L	51,000
T	31,000
T1	2,500
C	10,000

#### MANUFACTURER

[INA](#)