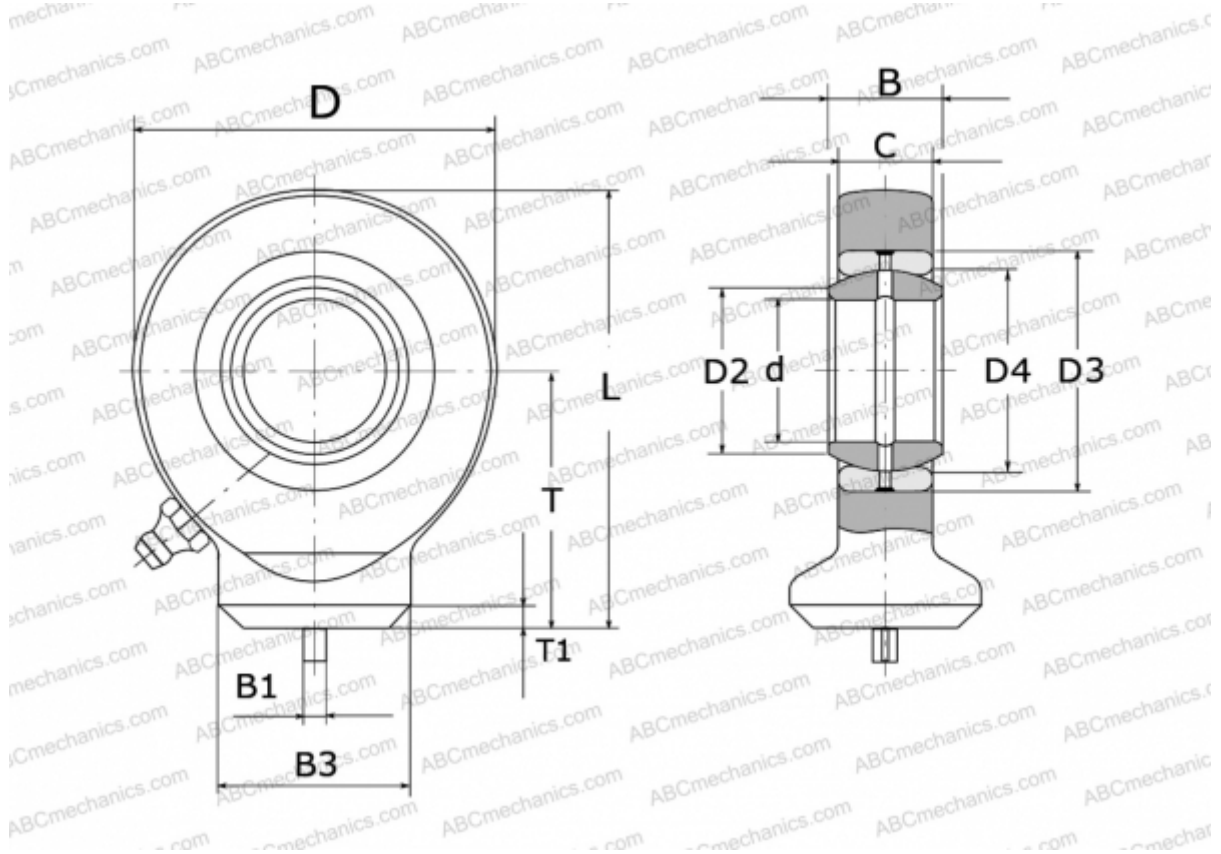


## GK 25 DO INA

TYPE: Plain bearings, Spherical plain bearings and rod ends, Rod ends, Hydraulic, Requiring maintenance, with circular welding face, open design, DIN ISO 12240-4, series GK.-DO (INA)



### Technical specification

#### DIMENSIONS, MM

|    |        |
|----|--------|
| d  | 25,000 |
| D  | 64,000 |
| D2 | 29,300 |
| D3 | 42,000 |
| D4 | 35,500 |
| B  | 20,000 |
| B1 | 4,000  |
| B3 | 33,500 |
| L  | 77,000 |
| T  | 45,000 |
| T1 | 4,000  |
| C  | 17,000 |

#### MANUFACTURER

[INA](#)