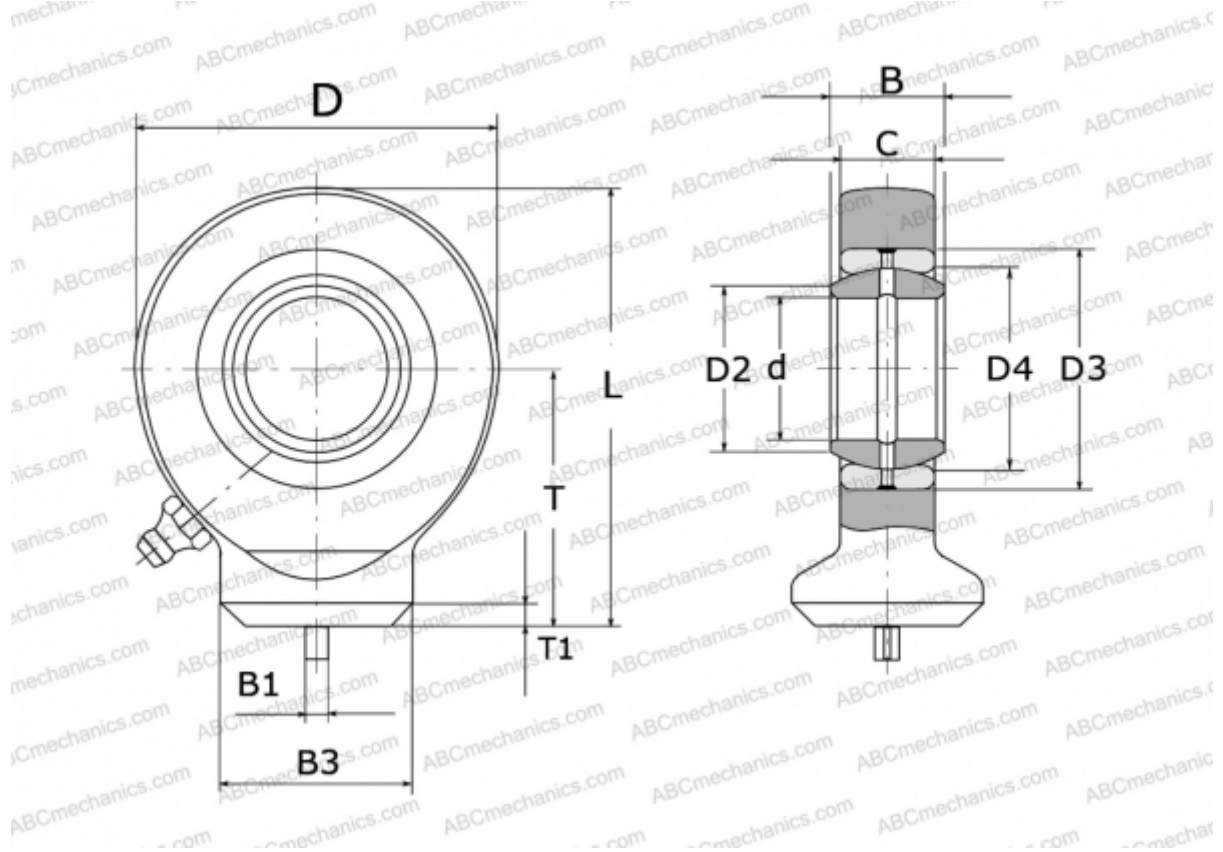


## GK 35 DO INA

TYPE: Plain bearings, Spherical plain bearings and rod ends, Rod ends, Hydraulic, Requiring maintenance, with circular welding face, open design, DIN ISO 12240-4, series GK..-DO (INA)



### Technical specification

#### DIMENSIONS, MM

d	35,000
D	82,000
D2	39,800
D3	55,000
D4	47,000
B	25,000
B1	4,000
B3	47,000
L	102,000
T	61,000
T1	4,000
C	21,000

#### MANUFACTURER

[INA](#)