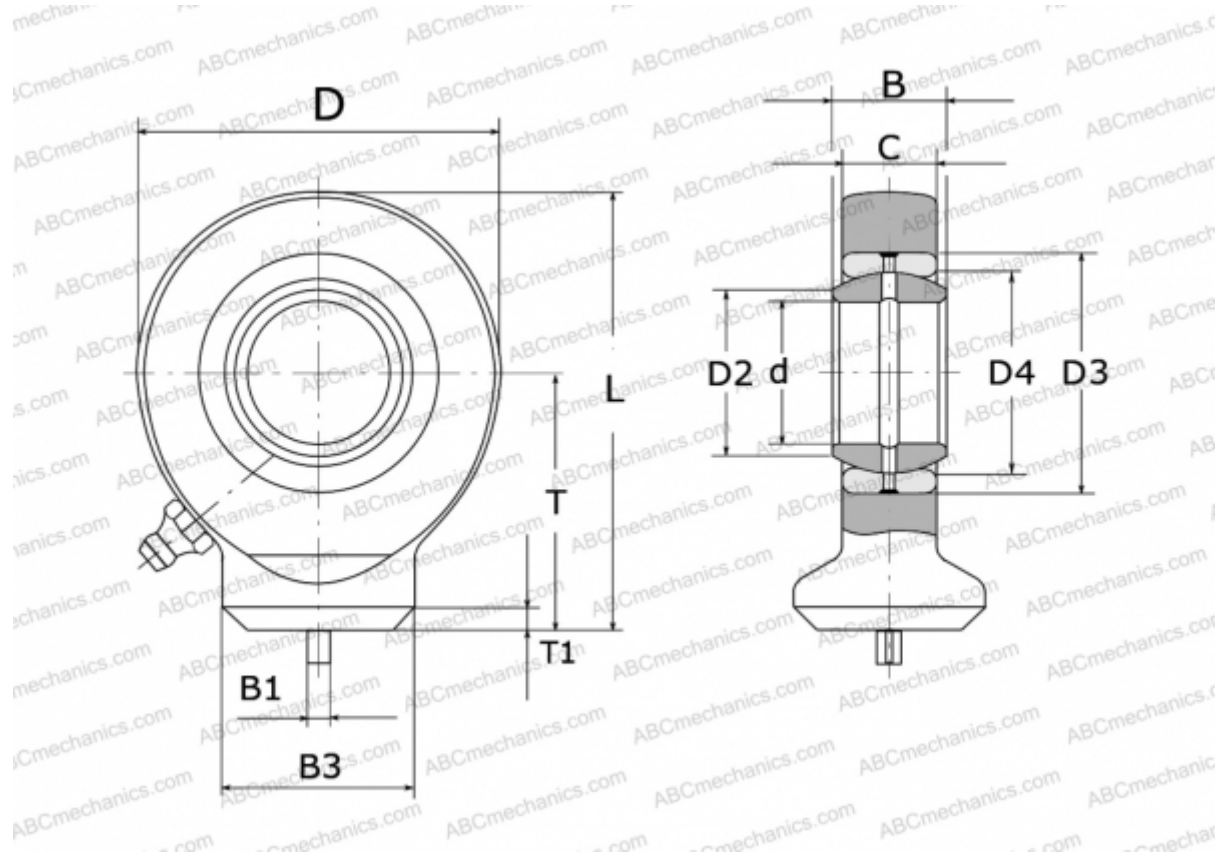


GK 45 DO INA

TYPE: Plain bearings, Spherical plain bearings and rod ends, Rod ends, Hydraulic, Requiring maintenance, with circular welding face, open design, DIN ISO 12240-4, series GK.-DO (INA)



Technical specification

DIMENSIONS, MM

d	45,000
D	102,000
D2	50,800
D3	68,000
D4	60,000
B	32,000
B1	6,000
B3	58,000
L	128,000
T	77,000
T1	5,000
C	27,000

MANUFACTURER

[INA](#)