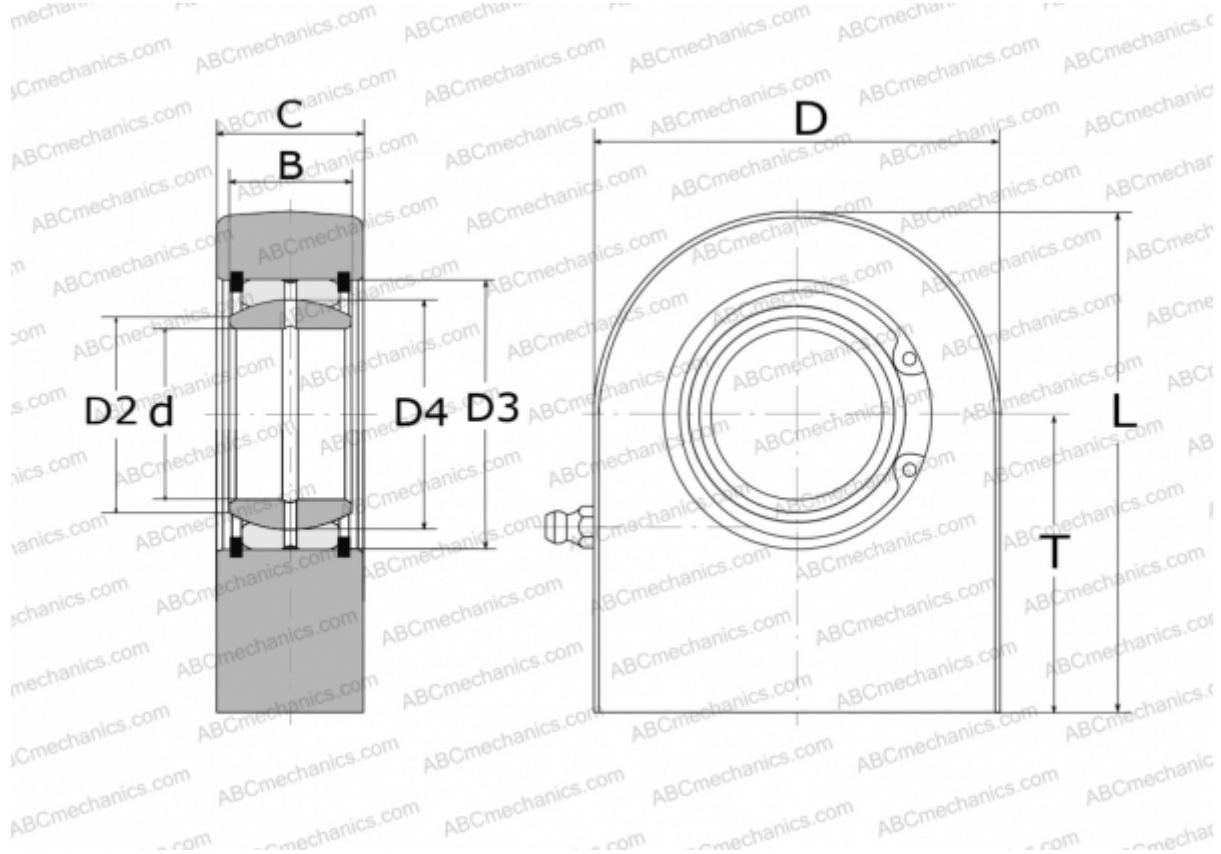


GF 80 DO INA

TYPE: Plain bearings, Spherical plain bearings and rod ends, Rod ends, Hydraulic, Requiring maintenance, with rectangular welding face, open design, series GF..-DO (INA)



Technical specification

DIMENSIONS, MM

d	80,000
D	180,000
D2	89,400
D3	120,000
D4	105,000
B	55,000
L	231,000
T	141,000
C	60,000

MANUFACTURER

[INA](#)