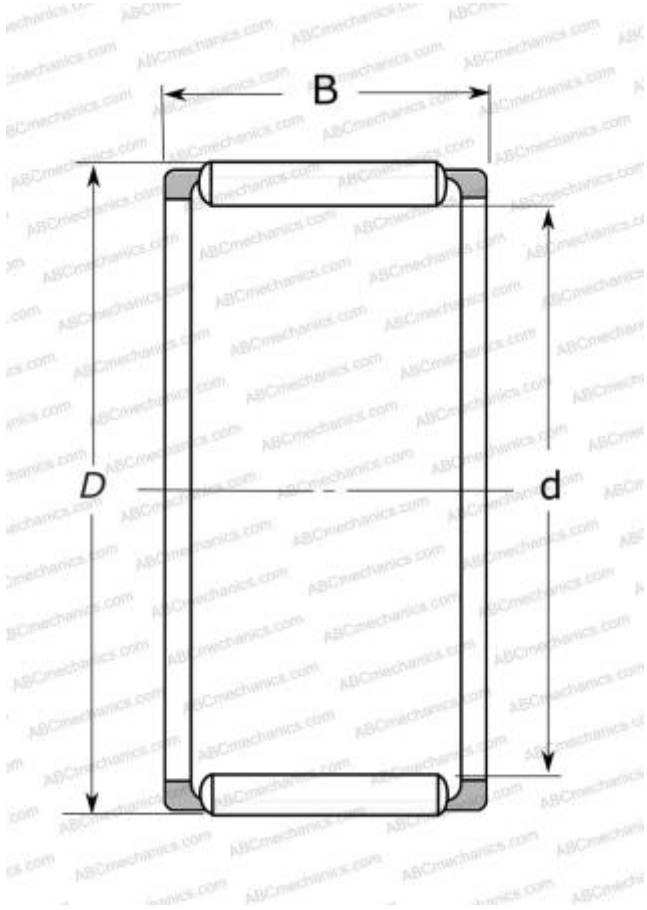


FWF-121610 NSK

Needle roller and cage assemblies

TYPE: Roller bearings, Needle, Single row, Needle roller and cage assemblies, Type FWJ, FWF (NSK)



Technical specification

DIMENSIONS, MM

d	12,000
D	16,000
B	10,000

MANUFACTURER

[NSK](#)