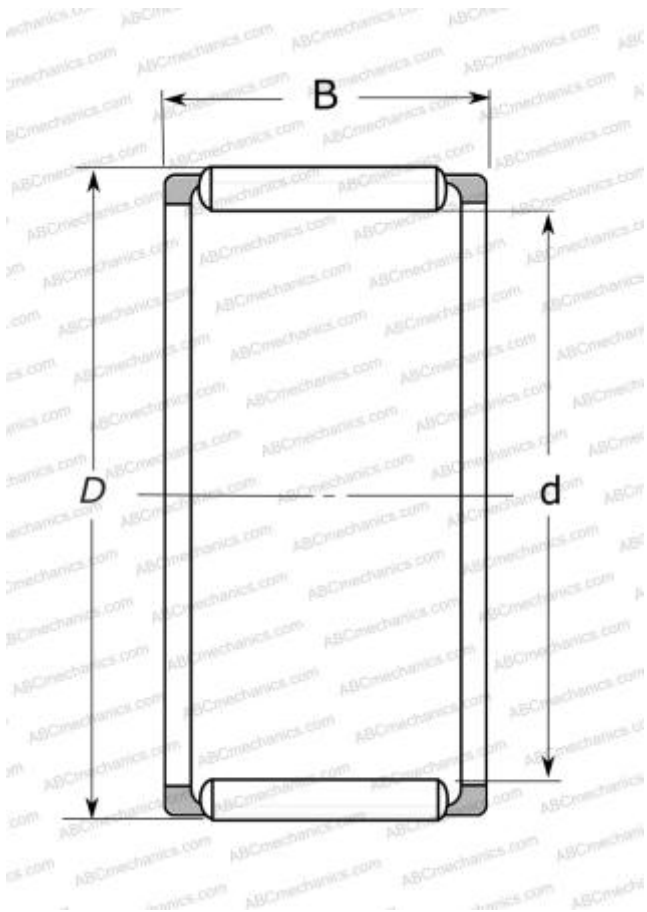


WJ-101410 NSK

Needle roller and cage assemblies

TYPE: Roller bearings, Needle, Single row, Needle roller and cage assemblies, Type WJ (NSK), inch size



Technical specification

DIMENSIONS, MM

d	15,875
D	22,225
B	15,880

MANUFACTURER

[NSK](#)