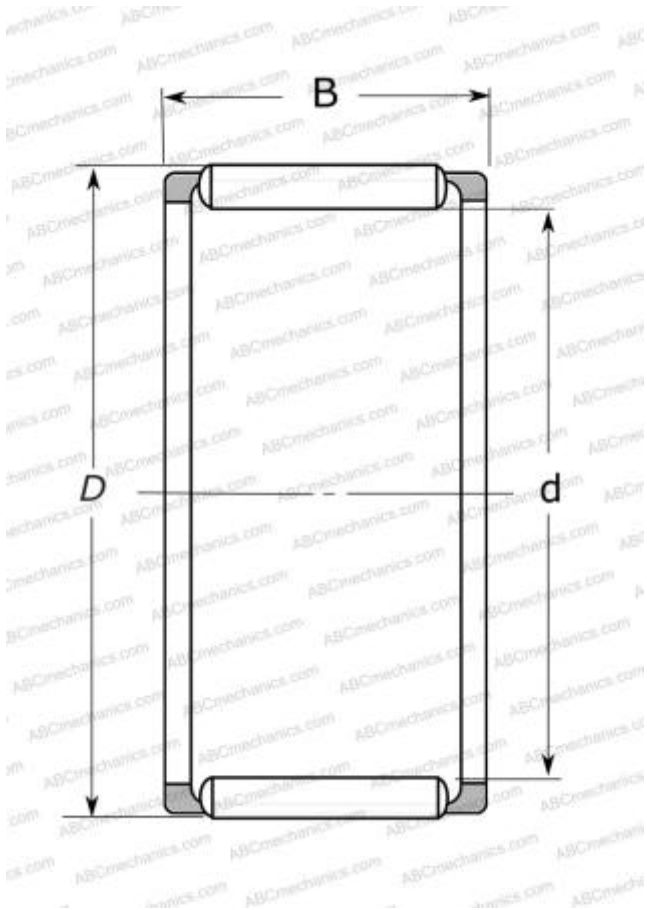


## WJ-101414 NSK

Needle roller and cage assemblies

TYPE: Roller bearings, Needle, Single row, Needle roller and cage assemblies, Type WJ (NSK), inch size



### Technical specification

#### DIMENSIONS, MM

d	15,875
D	22,225
B	22,220

#### MANUFACTURER

[NSK](#)