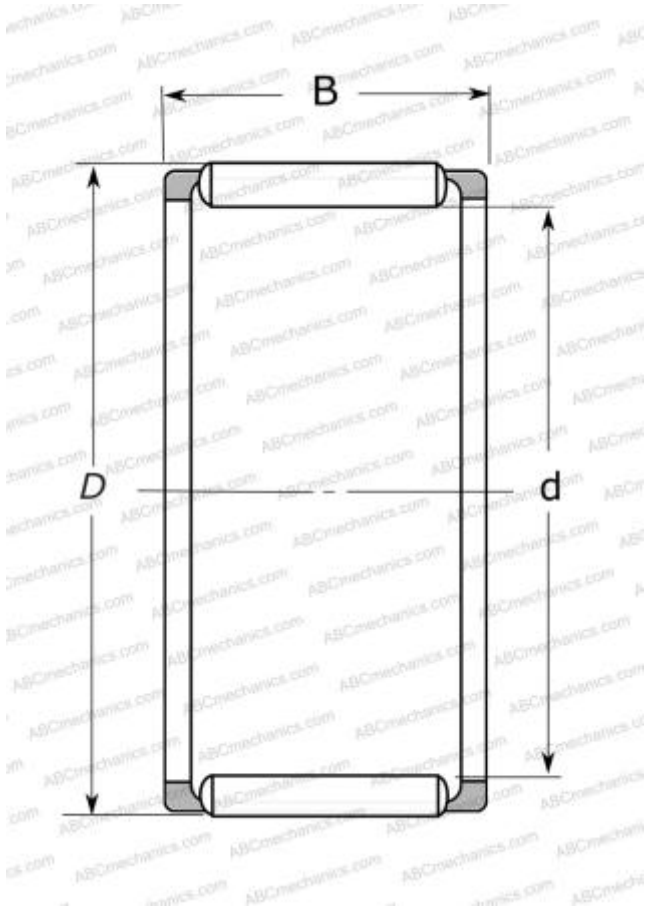


FWF-162111-E NSK

Needle roller and cage assemblies

TYPE: Roller bearings, Needle, Single row, Needle roller and cage assemblies, For large ends of connecting rods, type FWF..E (NSK)



Technical specification

DIMENSIONS, MM

d	16,000
D	21,000
B	11,000

MANUFACTURER

[NSK](#)