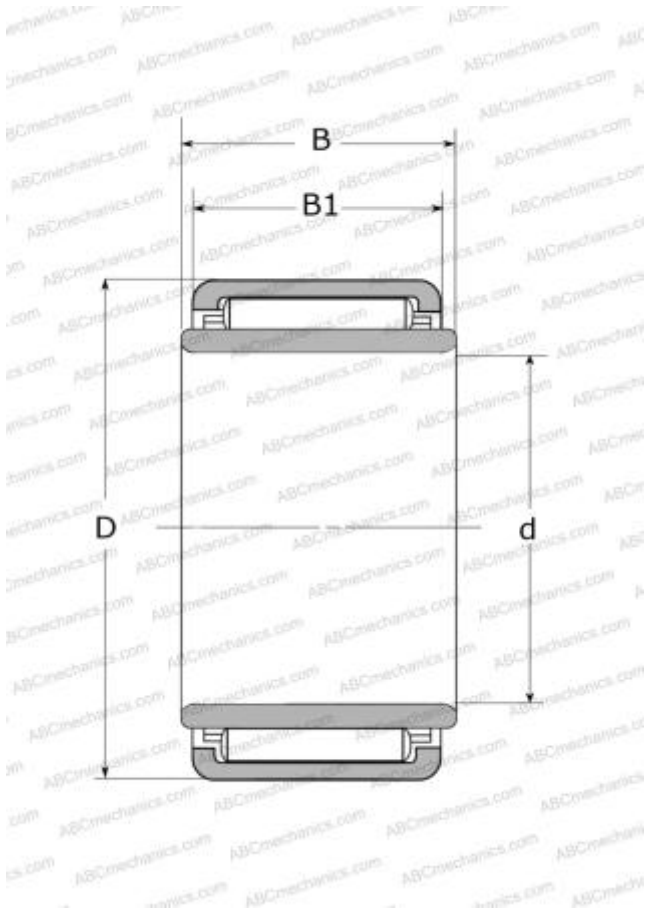


## LM101712-1 NSK

Needle roller bearings

TYPE: Roller bearings, Needle, Single row, With machined rings with flanges, with an inner ring, Type LM (NSK)



### Technical specification

#### DIMENSIONS, MM

d	7,000
D	17,000
B	12,000
B1	12,000

#### MANUFACTURER

[NSK](#)

#### CALCULATION DATA

Basic dynamic load rating, C	6,750 kN
Basic static load rating, Co	6,200 kN
Limiting speed	36000 r/min