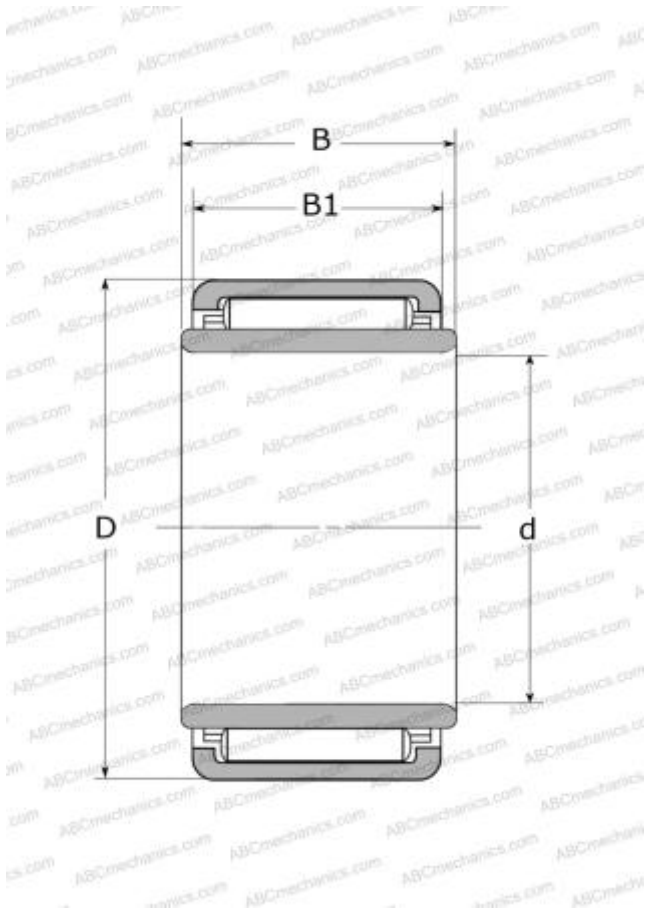


LM101716-1 NSK

Needle roller bearings

TYPE: Roller bearings, Needle, Single row, With machined rings with flanges, with an inner ring, Type LM (NSK)



Technical specification

DIMENSIONS, MM

d	7,000
D	17,000
B	16,000
B1	16,000

MANUFACTURER

[NSK](#)

CALCULATION DATA

Basic dynamic load rating, C	8,650 kN
Basic static load rating, Co	8,600 kN
Limiting speed	36000 r/min