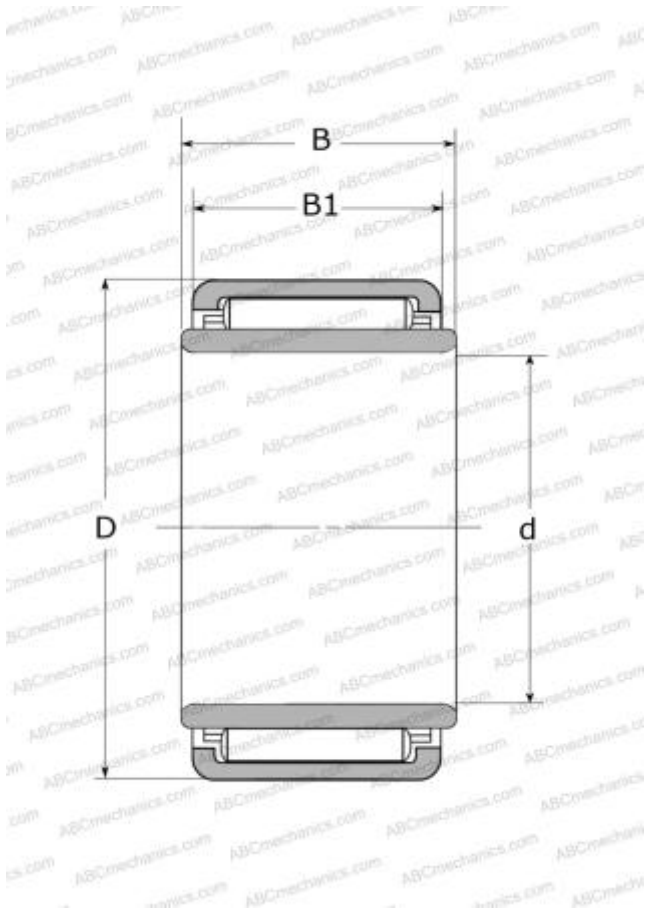


## LM1212 NSK

Needle roller bearings

TYPE: Roller bearings, Needle, Single row, With machined rings with flanges, with an inner ring, Type LM (NSK)



### Technical specification

#### DIMENSIONS, MM

d	8,000
D	17,000
B	12,200
B1	12,000

#### MANUFACTURER

[NSK](#)

#### CALCULATION DATA

Basic dynamic load rating, C	6,150 kN
Basic static load rating, Co	7,650 kN
Limiting speed	30000 r/min