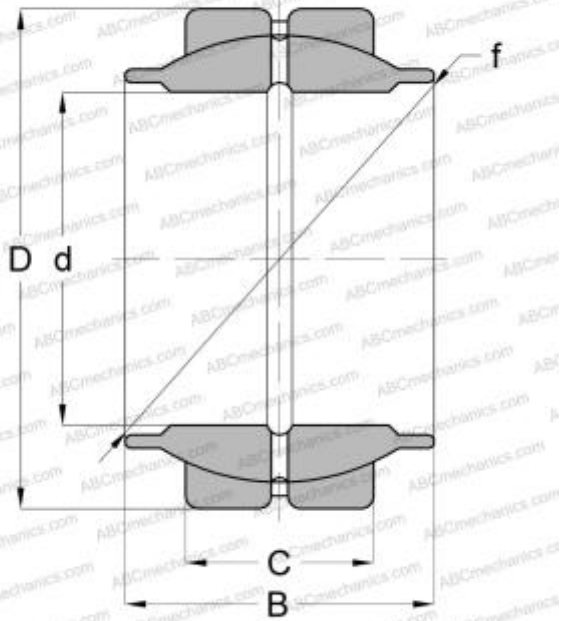


GE 12 LO INA

Spherical plain bearings

TYPE: Plain bearings, Spherical plain bearings and rod ends, Radial spherical plain bearings, Requiring maintenance, Series GE...-LO



Technical specification

DIMENSIONS, MM

d	12,000
D	22,000
B	12,000
f	18,000
C	7,000

MANUFACTURER

[INA](#)

INTERCHANGE

ABC	GE 12 LO
SKF	GEG 12 ESA
FLURO	GE 12 LO