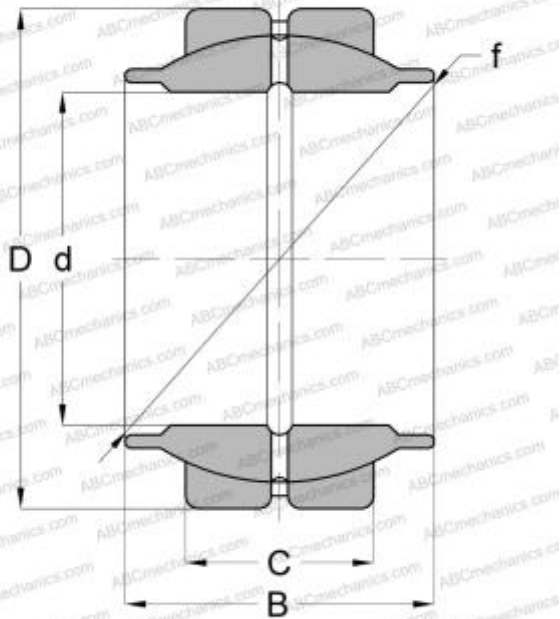


GEG 16 ES SKF

Spherical plain bearings

TYPE: Plain bearings, Spherical plain bearings and rod ends, Radial spherical plain bearings, Requiring maintenance, Series GE...-LO



Technical specification

DIMENSIONS, MM

d	16,000
D	28,000
B	16,000
f	23,000
C	9,000

MANUFACTURER

[SKF](#)

INTERCHANGE

ABC	GE 16 LO
INA	GE 16 LO
FLURO	GE 16 LO

CALCULATION DATA

Basic dynamic load rating, C	17,600 kN
Basic static load rating, Co	88,000 kN