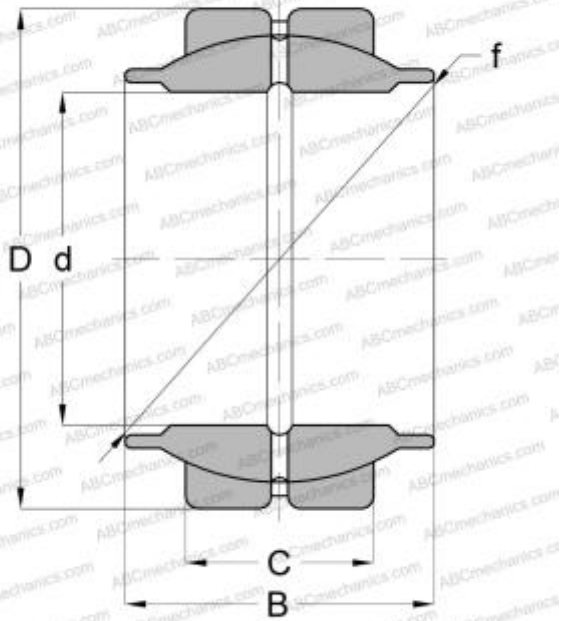


GE 16 LO INA

Spherical plain bearings

TYPE: Plain bearings, Spherical plain bearings and rod ends, Radial spherical plain bearings, Requiring maintenance, Series GE...-LO



Technical specification

DIMENSIONS, MM

d	16,000
D	28,000
B	16,000
f	23,000
C	9,000

MANUFACTURER

[INA](#)

INTERCHANGE

ABC	GE 16 LO
SKF	GEG 16 ES
FLURO	GE 16 LO