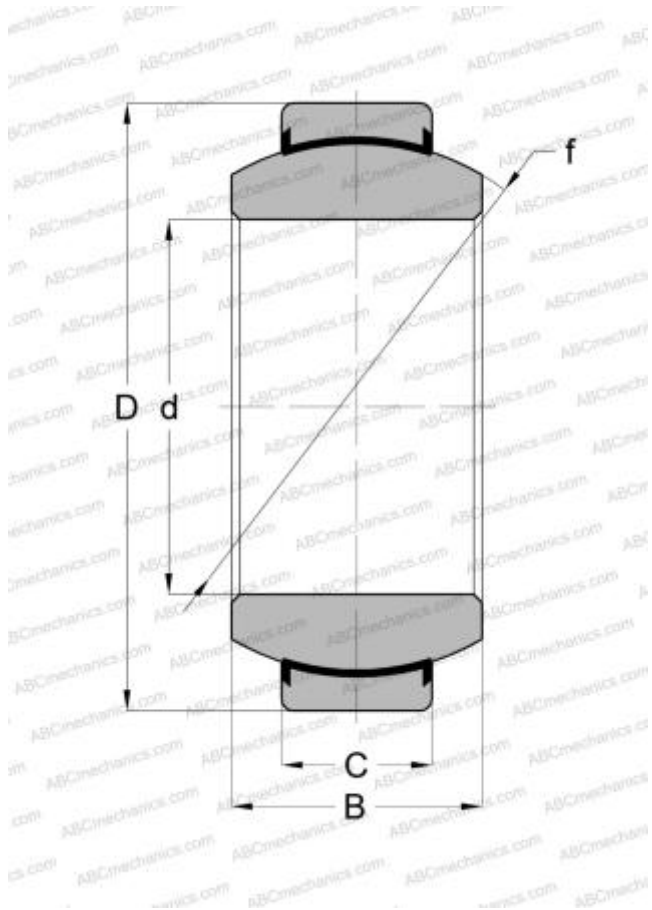


## GEC 420 TXA-2RS SKF

Spherical plain bearings

TYPE: Plain bearings, Spherical plain bearings and rod ends, Radial spherical plain bearings, Maintenance free, Series GEC..TXA-2RS (SKF), contact seals on both side, sliding surface hard chromium plated



### Technical specification

#### DIMENSIONS, MM

|   |         |
|---|---------|
| d | 420,000 |
| D | 560,000 |
| B | 190,000 |
| f | 490,000 |
| C | 160,000 |

#### MANUFACTURER

[SKF](#)

#### CALCULATION DATA

|                              |              |
|------------------------------|--------------|
| Basic dynamic load rating, C | 21200,000 kN |
| Basic static load rating, Co | 35500,000 kN |