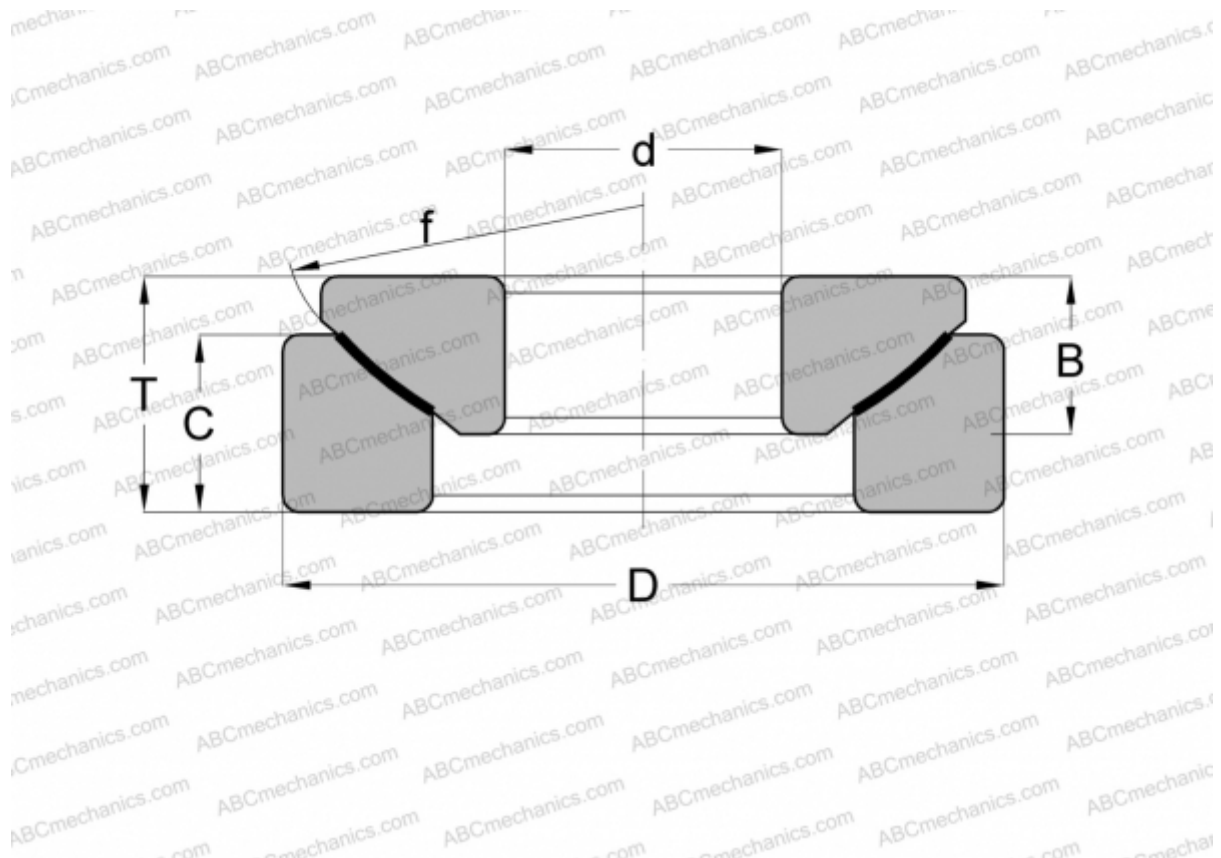


GE 15 AW FLURO

Spherical plain bearings

TYPE: Plain bearings, Spherical plain bearings and rod ends, Thrust spherical plain bearings, Maintenance free, Series GE..-AW, GX..F, steel/PTFE FRP



Technical specification

DIMENSIONS, MM

d	15,000
D	42,000
B	11,000
f	46,000
T	15,000
C	10,800

MANUFACTURER [FLURO](#)

INTERCHANGE

ABC	GE 15 AW
INA	GE 15 AW