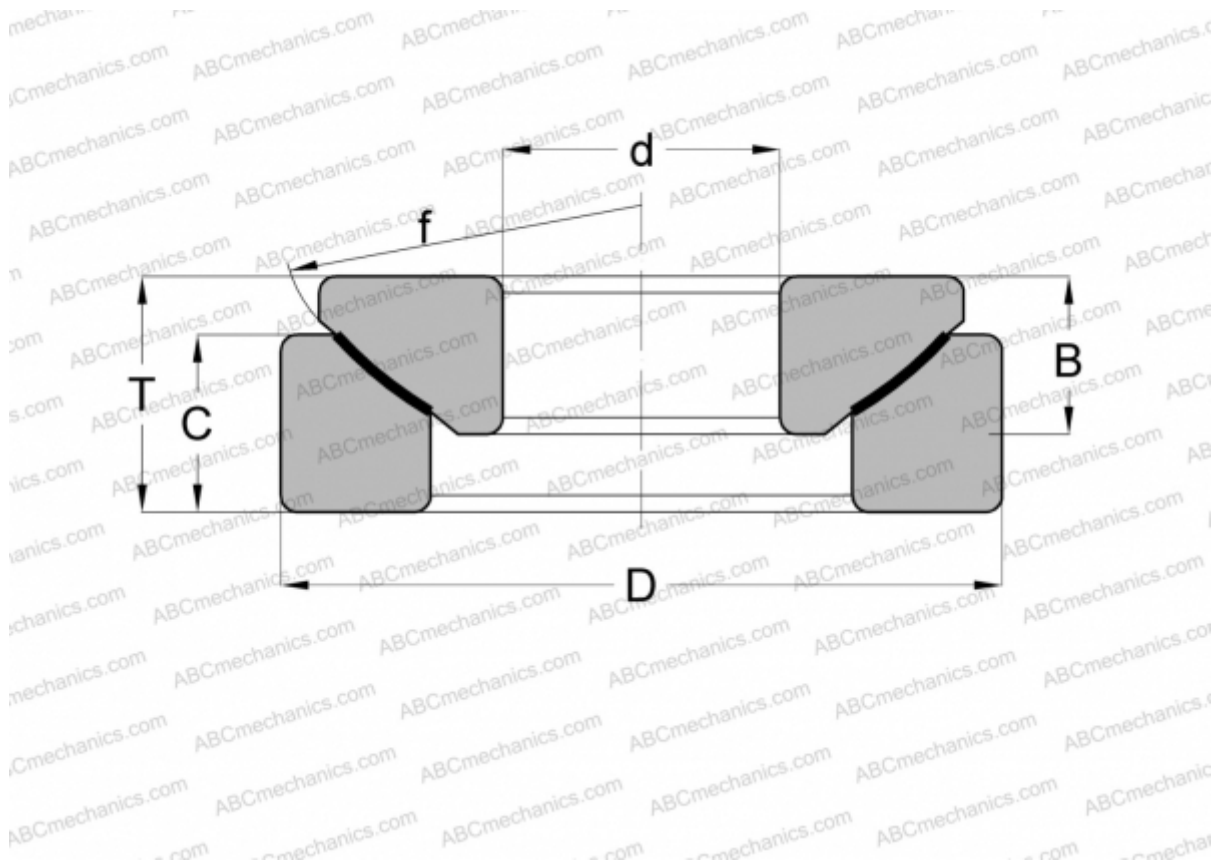


## GX 17 F SKF

Spherical plain bearings

TYPE: Plain bearings, Spherical plain bearings and rod ends, Thrust spherical plain bearings, Maintenance free, Series GE..-AW, GX..F, steel/PTFE FRP



### Technical specification

#### DIMENSIONS, MM

d	17,000
D	47,000
B	11,800
f	52,000
T	16,000
C	11,200

#### MANUFACTURER

[SKF](#)

#### INTERCHANGE

ABC	<a href="#">GE 17 AW</a>
INA	<a href="#">GE 17 AW</a>
FLURO	<a href="#">GE 17 AW</a>

#### CALCULATION DATA

Basic dynamic load rating, C	36,500 kN
Basic static load rating, Co	58,500 kN