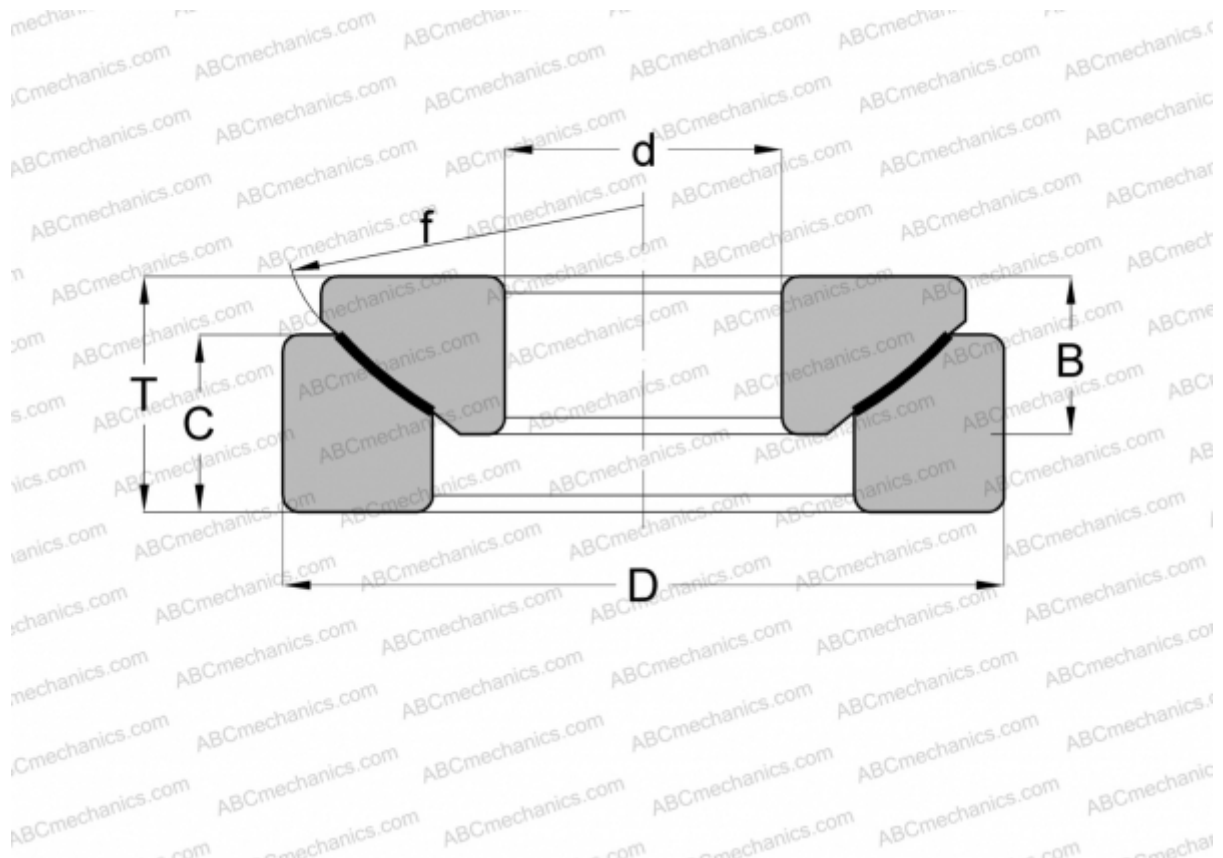


GE 320 AW ABC

Spherical plain bearings

TYPE: Plain bearings, Spherical plain bearings and rod ends, Thrust spherical plain bearings, Maintenance free, Series GE..-AW, GX..F, steel/PTFE FRP



Technical specification

DIMENSIONS, MM

d	320,000
D	520,000
B	105,000
f	540,000
T	116,000
C	91,000

MANUFACTURER [ABC](#)

INTERCHANGE

INA	GE 320 AW
FLURO	GE 320 AW