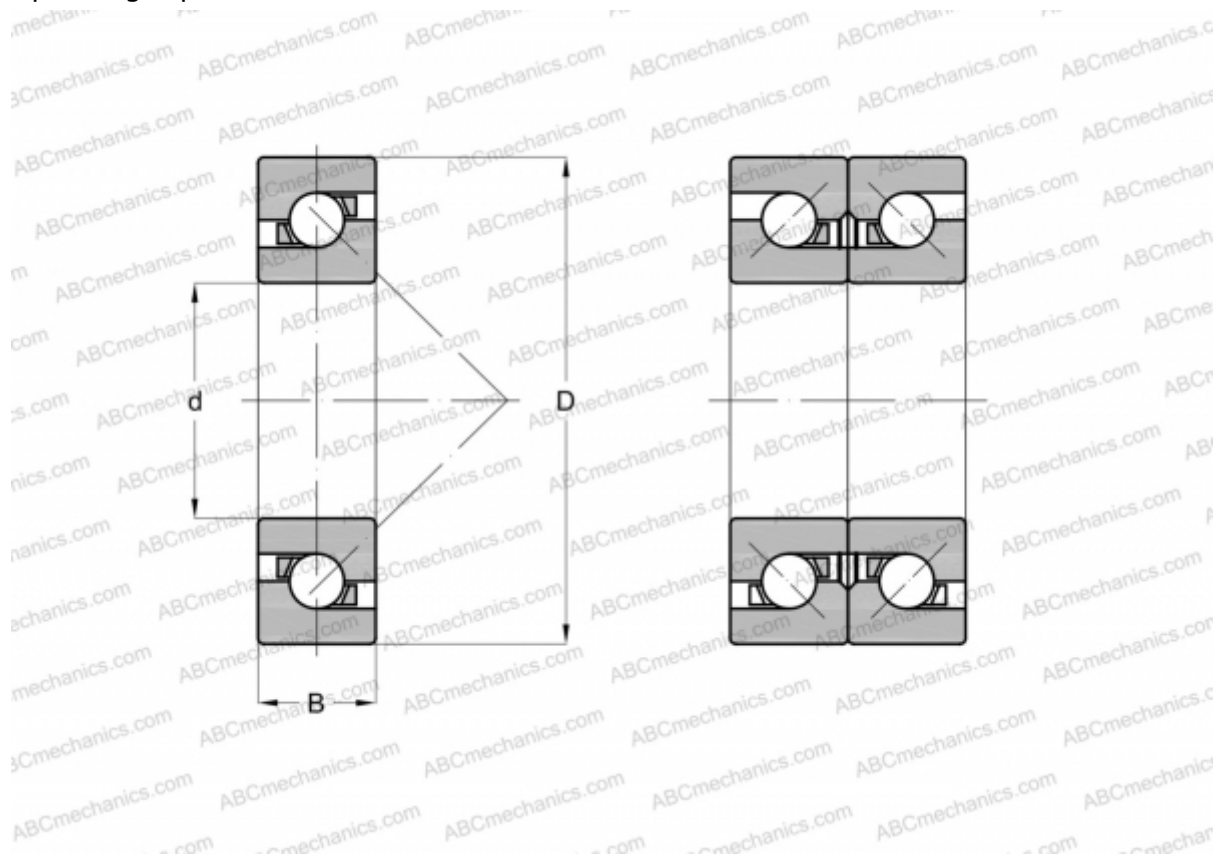


50BAR10S TYNDBLP4A NSK

Axial angular contact ball bearing

TYPE: Ball bearings, Axial angular contact ball bearing, Single direction, Contact angle 30°, High speed, duplex, light preload (NSK)



Technical specification

DIMENSIONS, MM

d	50,000
D	80,000
B	14,250

MANUFACTURER [NSK](#)

CALCULATION DATA

Basic dynamic load rating, C	14,700 kN
Basic static load rating, Co	27,700 kN
Attainable speed for grease lubrication	11600 r/min
Attainable speed for oil-air lubrication	14700 r/min