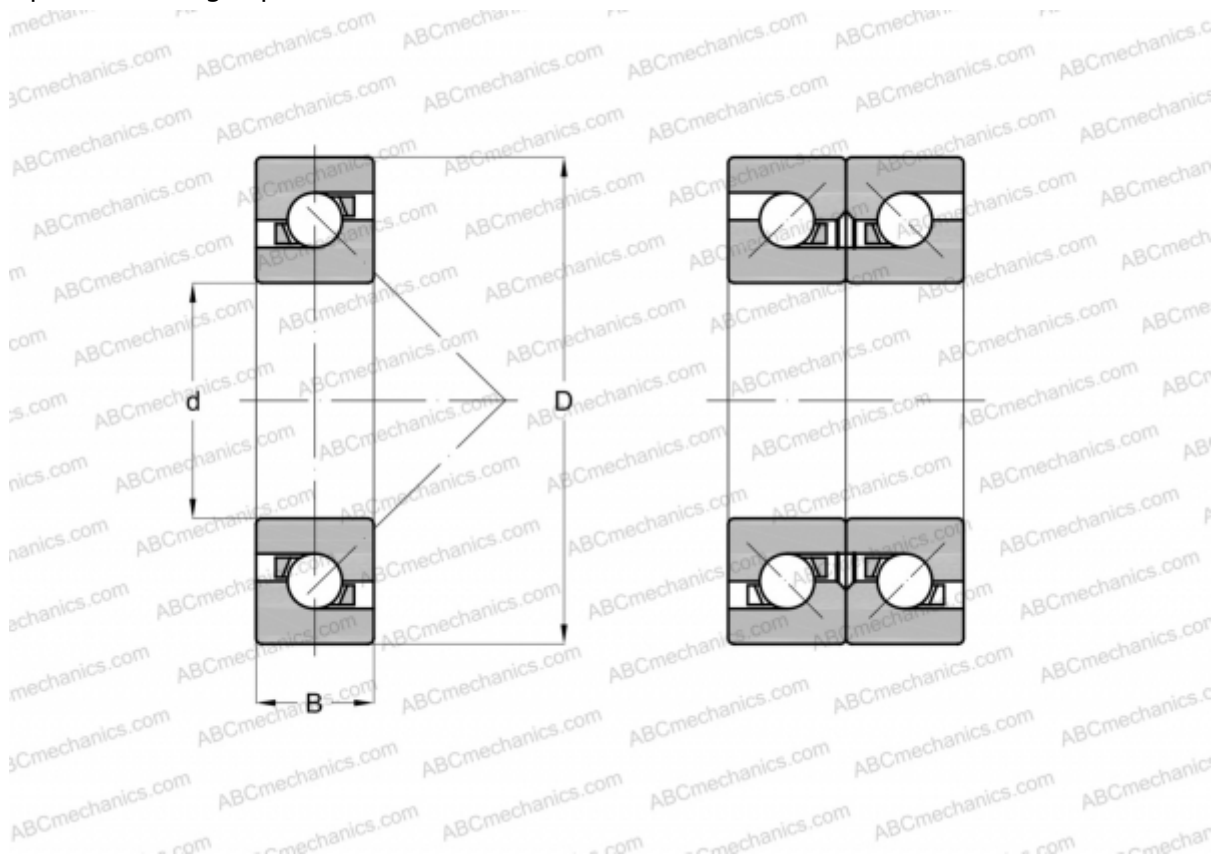


55BAR10S TYNDBELP4A NSK

Axial angular contact ball bearing

TYPE: Ball bearings, Axial angular contact ball bearing, Single direction, Contact angle 30°, High speed, duplex, extra light preload (NSK)



Technical specification

DIMENSIONS, MM

d	55,000
D	90,000
B	16,500

MANUFACTURER [NSK](#)

CALCULATION DATA

Basic dynamic load rating, C	18,200 kN
Basic static load rating, Co	35,000 kN
Attainable speed for grease lubrication	10400 r/min
Attainable speed for oil-air lubrication	13200 r/min