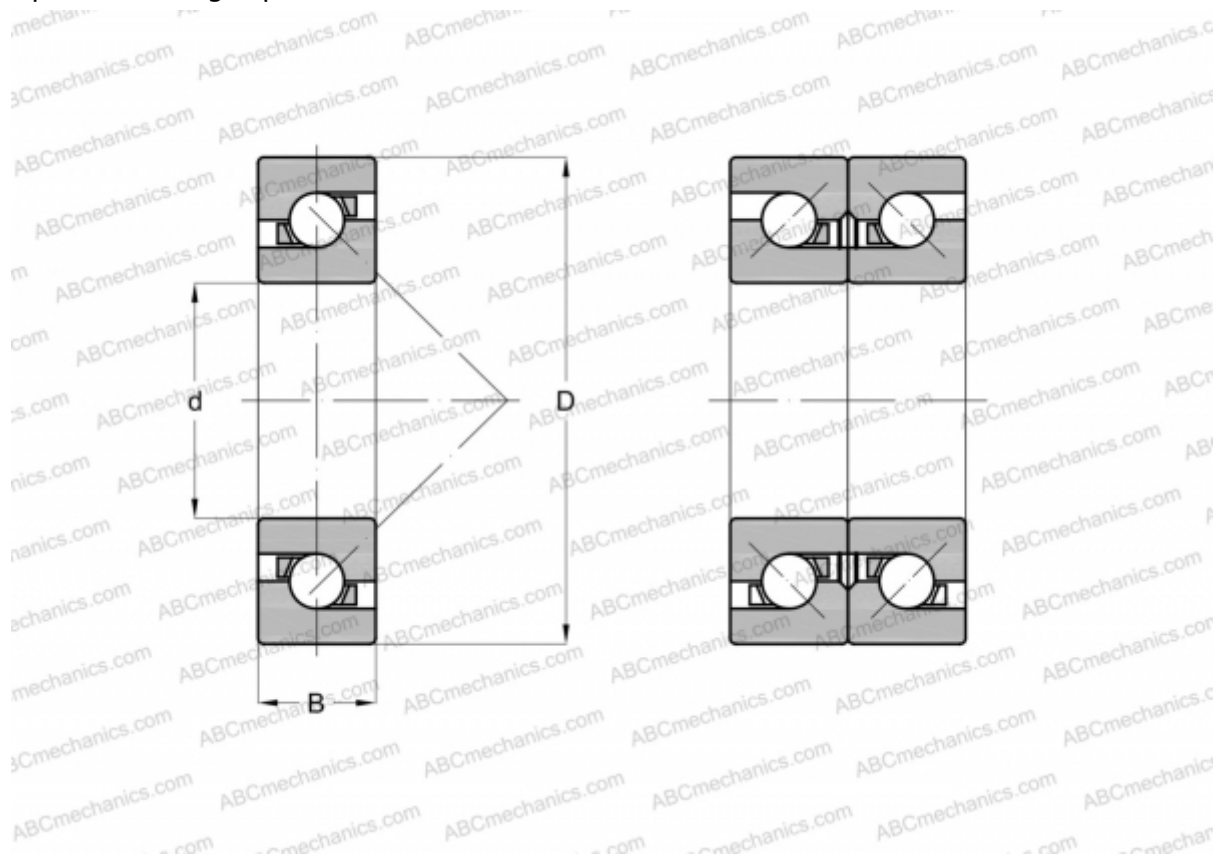


## 85BAR10S TYNDBELP4A NSK

Axial angular contact ball bearing

TYPE: Ball bearings, Axial angular contact ball bearing, Single direction, Contact angle 30°, High speed, duplex, extra light preload (NSK)



### Technical specification

#### DIMENSIONS, MM

$d$	85,000
$D$	130,000
$B$	20,250

**MANUFACTURER** [NSK](#)

#### CALCULATION DATA

Basic dynamic load rating, $C$	32,500 kN
Basic static load rating, $C_0$	71,500 kN
Attainable speed for grease lubrication	7000 r/min
Attainable speed for oil-air lubrication	8900 r/min