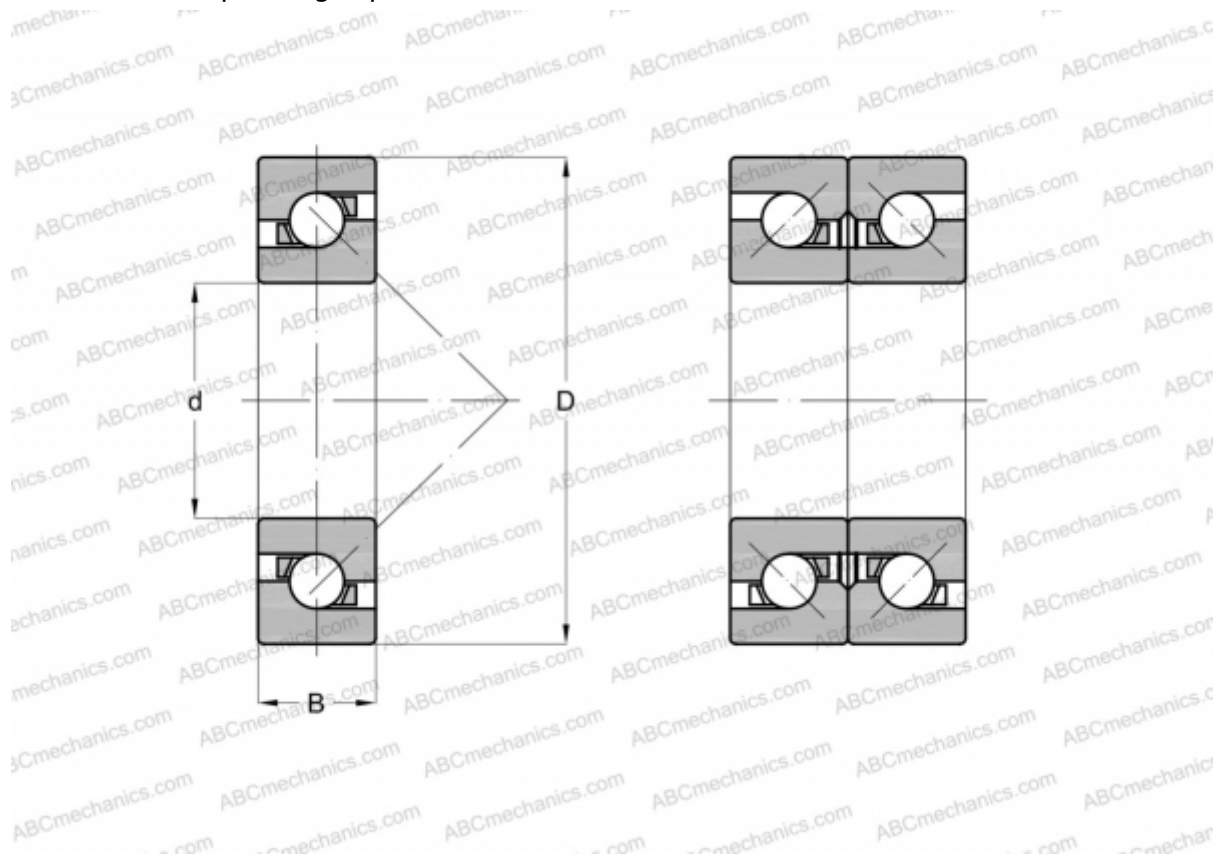


## 65BAR10H TYNDBLP4A NSK

Axial angular contact ball bearing

TYPE: Ball bearings, Axial angular contact ball bearing, Single direction, Contact angle 30°, High speed, ceramic ball, duplex, light preload (NSK)



### Technical specification

#### DIMENSIONS, MM

$d$	65,000
$D$	100,000
$B$	16,500

**MANUFACTURER** [NSK](#)

#### CALCULATION DATA

Basic dynamic load rating, $C$	19,500 kN
Basic static load rating, $C_0$	41,500 kN
Attainable speed for grease lubrication	10400 r/min
Attainable speed for oil-air lubrication	12800 r/min