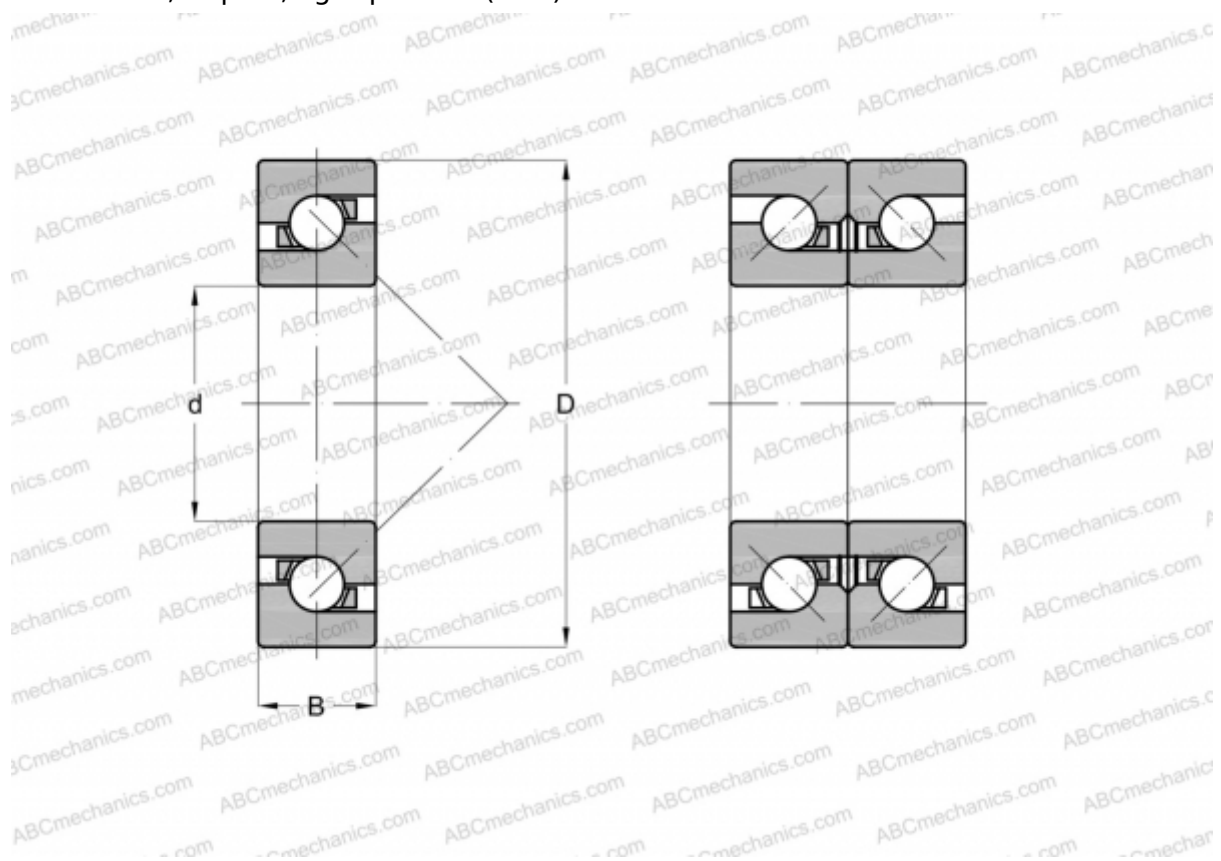


85BAR10H TYNDBLP4A NSK

Axial angular contact ball bearing

TYPE: Ball bearings, Axial angular contact ball bearing, Single direction, Contact angle 30°, High speed, ceramic ball, duplex, light preload (NSK)



Technical specification

DIMENSIONS, MM

| | |
|---|---------|
| d | 85,000 |
| D | 130,000 |
| B | 20,250 |

MANUFACTURER [NSK](#)

CALCULATION DATA

| | |
|--|------------|
| Basic dynamic load rating, C | 32,500 kN |
| Basic static load rating, Co | 71,500 kN |
| Attainable speed for grease lubrication | 8000 r/min |
| Attainable speed for oil-air lubrication | 9800 r/min |