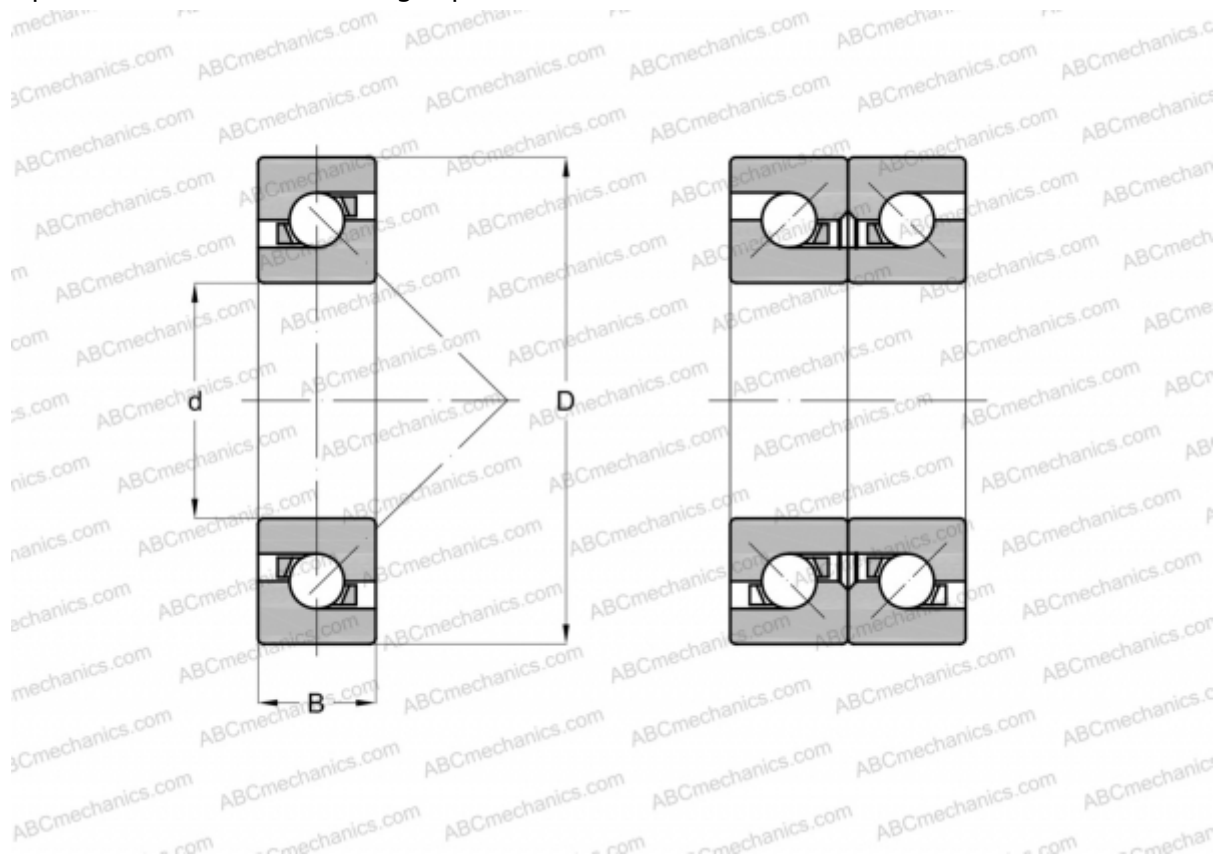


65BAR10H TYNDBELP4A NSK

Axial angular contact ball bearing

TYPE: Ball bearings, Axial angular contact ball bearing, Single direction, Contact angle 30°, High speed, duplex, ceramic ball, extra light preload (NSK)



Technical specification

DIMENSIONS, MM

d	65,000
D	100,000
B	16,500

MANUFACTURER [NSK](#)

CALCULATION DATA

Basic dynamic load rating, C	19,500 kN
Basic static load rating, Co	41,500 kN
Attainable speed for grease lubrication	10400 r/min
Attainable speed for oil-air lubrication	12800 r/min