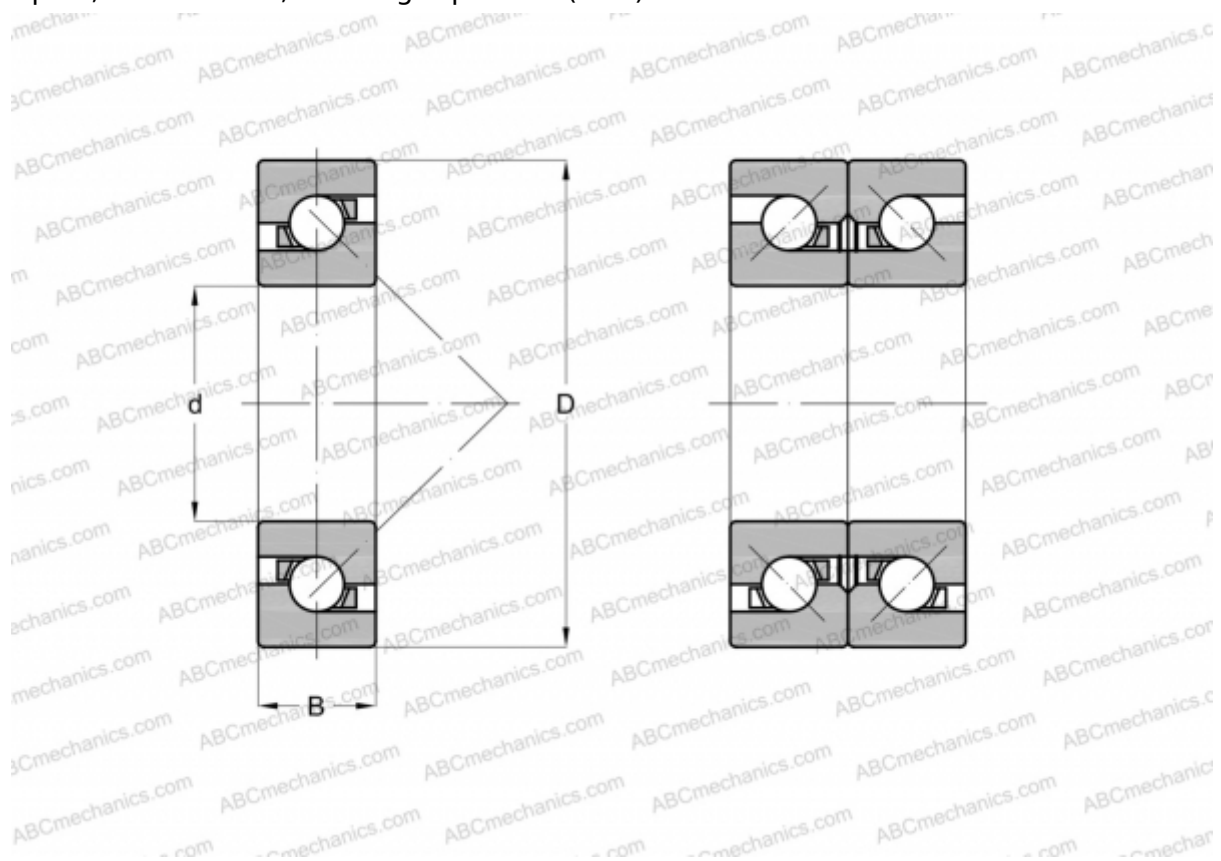


## 80BAR10H TYNDBELP4A NSK

Axial angular contact ball bearing

TYPE: Ball bearings, Axial angular contact ball bearing, Single direction, Contact angle 30°, High speed, duplex, ceramic ball, extra light preload (NSK)



### Technical specification

#### DIMENSIONS, MM

|   |         |
|---|---------|
| d | 80,000  |
| D | 125,000 |
| B | 20,250  |

**MANUFACTURER** [NSK](#)

#### CALCULATION DATA

|  |             |
|--|-------------|
| Basic dynamic load rating, C             | 32,000 kN   |
| Basic static load rating, Co             | 68,500 kN   |
| Attainable speed for grease lubrication  | 8300 r/min  |
| Attainable speed for oil-air lubrication | 10300 r/min |