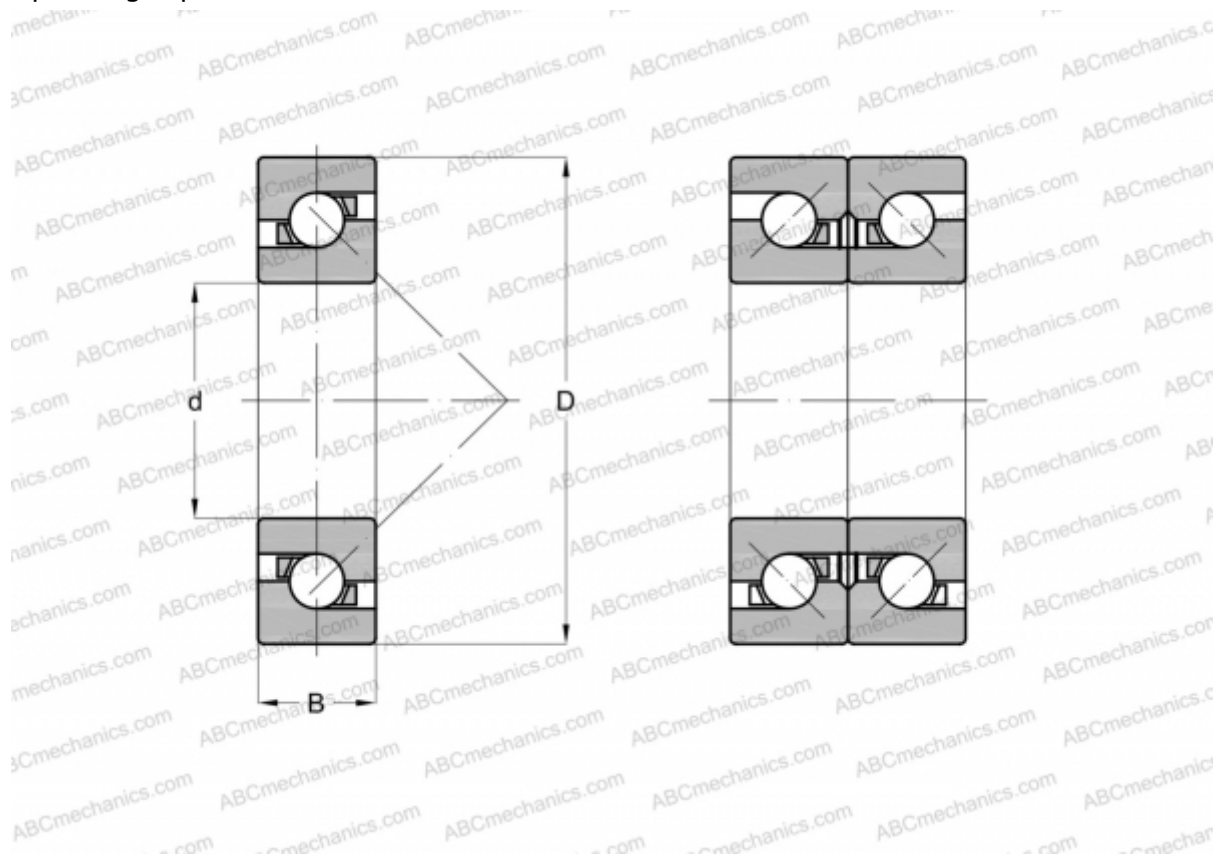


## 80BTR10S TYNDBLP4A NSK

Axial angular contact ball bearing

TYPE: Ball bearings, Axial angular contact ball bearing, Single direction, Contact angle 40°, High speed, duplex, light preload (NSK)



### Technical specification

#### DIMENSIONS, MM

$d$	80,000
$D$	125,000
$B$	20,250

**MANUFACTURER** [NSK](#)

#### CALCULATION DATA

Basic dynamic load rating, $C$	38,000 kN
Basic static load rating, $C_0$	78,000 kN
Attainable speed for grease lubrication	6400 r/min
Attainable speed for oil-air lubrication	8300 r/min