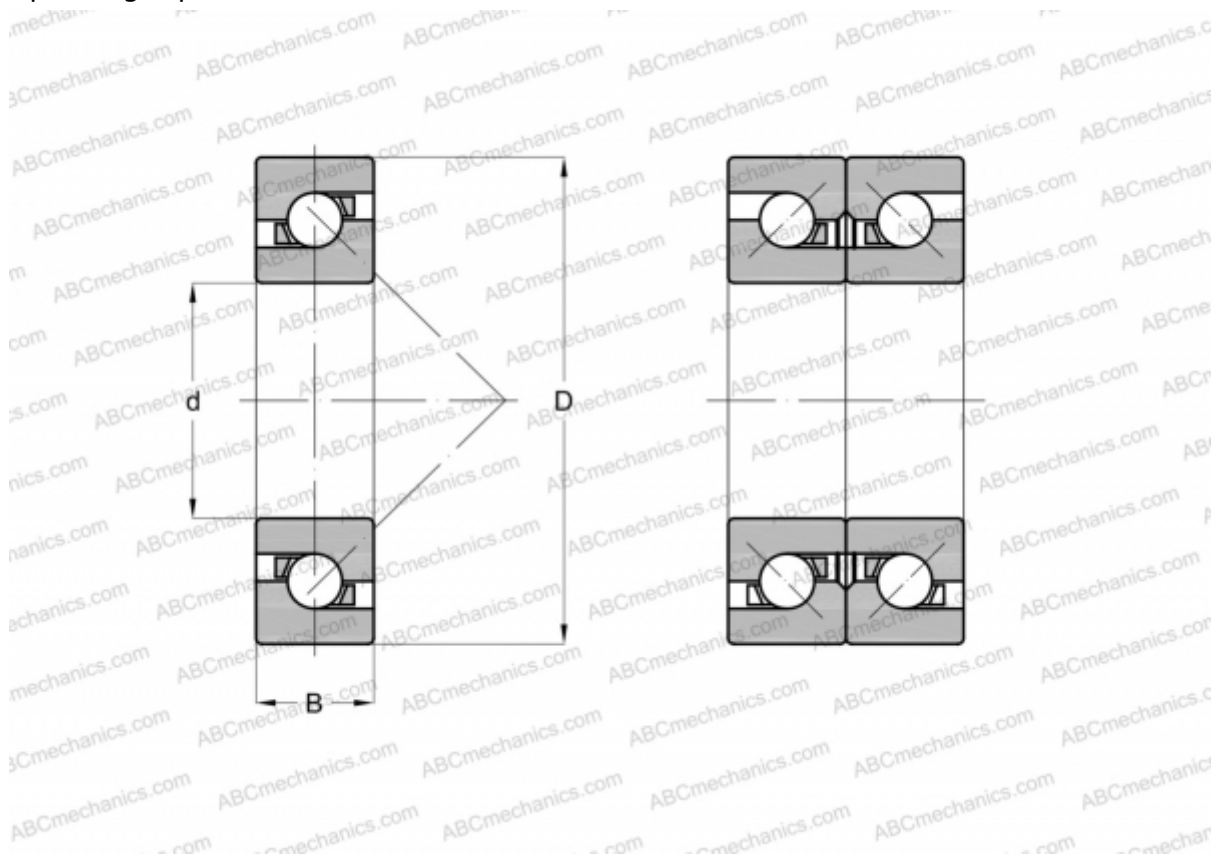


90BTR10S TYNDBLP4A NSK

Axial angular contact ball bearing

TYPE: Ball bearings, Axial angular contact ball bearing, Single direction, Contact angle 40°, High speed, duplex, light preload (NSK)



Technical specification

DIMENSIONS, MM

d	90,000
D	140,000
B	22,500

MANUFACTURER [NSK](#)

CALCULATION DATA

Basic dynamic load rating, C	50,000 kN
Basic static load rating, Co	105,000 kN
Attainable speed for grease lubrication	5700 r/min
Attainable speed for oil-air lubrication	7400 r/min