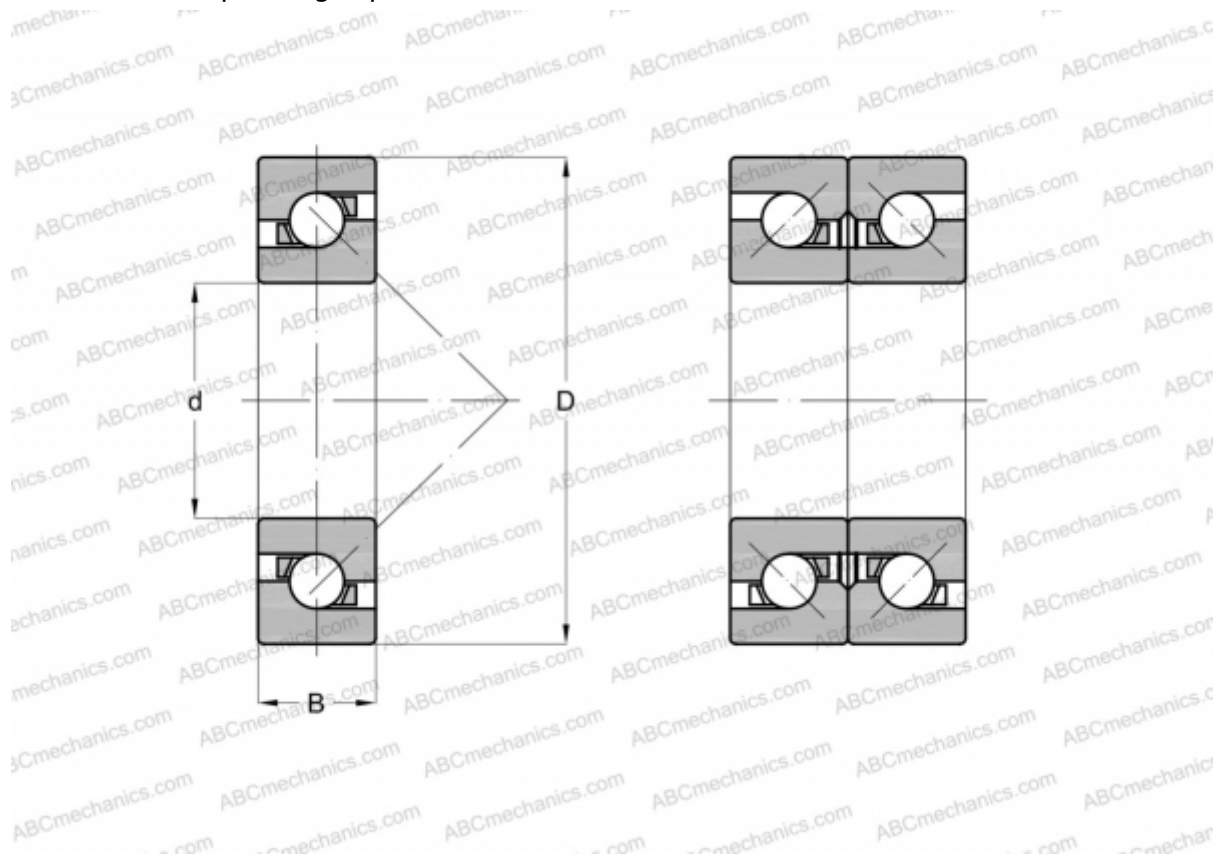


50BTR10H TYNDBLP4A NSK

Axial angular contact ball bearing

TYPE: Ball bearings, Axial angular contact ball bearing, Single direction, Contact angle 40°, High speed, ceramic ball, duplex, light preload (NSK)



Technical specification

DIMENSIONS, MM

d	50,000
D	80,000
B	14,250

MANUFACTURER [NSK](#)

CALCULATION DATA

Basic dynamic load rating, C	17,400 kN
Basic static load rating, C_0	31,500 kN
Attainable speed for grease lubrication	11600 r/min
Attainable speed for oil-air lubrication	14700 r/min