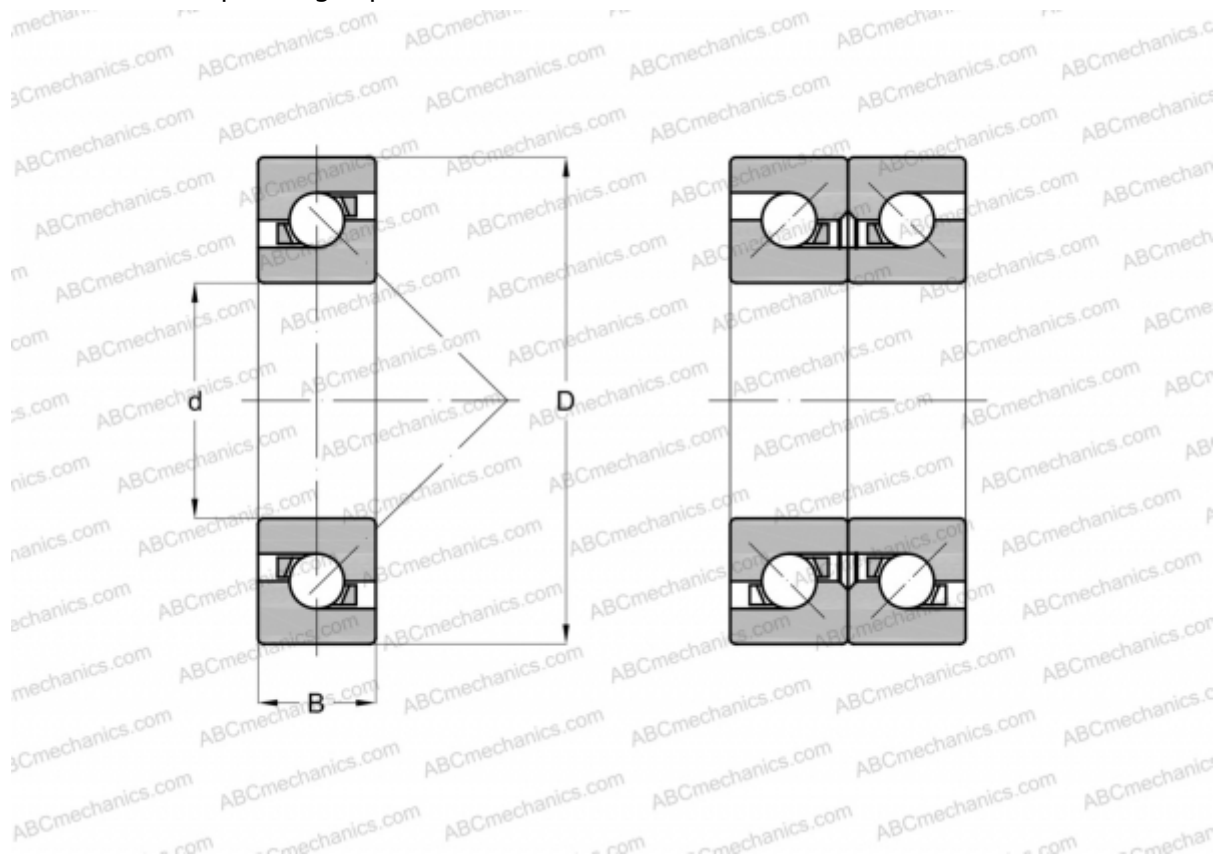


## 75BTR10H TYNDBLP4A NSK

Axial angular contact ball bearing

TYPE: Ball bearings, Axial angular contact ball bearing, Single direction, Contact angle 40°, High speed, ceramic ball, duplex, light preload (NSK)



### Technical specification

#### DIMENSIONS, MM

$d$	75,000
$D$	115,000
$B$	18,000

**MANUFACTURER** [NSK](#)

#### CALCULATION DATA

Basic dynamic load rating, $C$	32,500 kN
Basic static load rating, $C_0$	65,500 kN
Attainable speed for grease lubrication	7900 r/min
Attainable speed for oil-air lubrication	10000 r/min