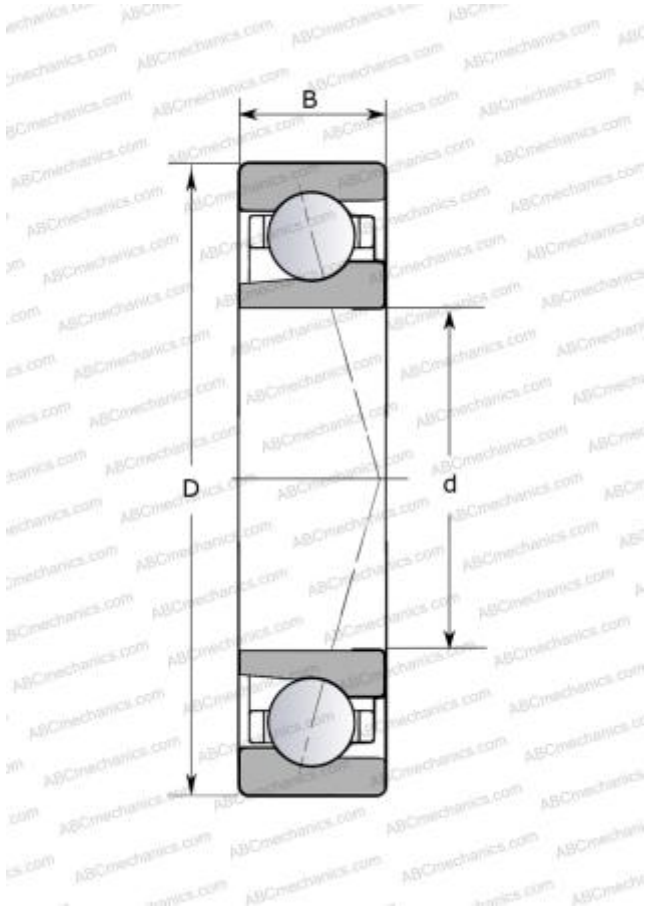


15TAC02D NSK

Axial angular contact ball bearing

TYPE: Ball bearings, Axial angular contact ball bearing, Single direction, Contact angle 55°, Series TAC02/TAC03, ball screw support bearings, for high-load drive applications (NSK)



Technical specification

DIMENSIONS, MM

d	15,000
D	35,000
B	11,000

MANUFACTURER

[NSK](#)

CALCULATION DATA

Attainable speed for grease lubrication	12000 r/min
Attainable speed for oil-air lubrication	14800 r/min