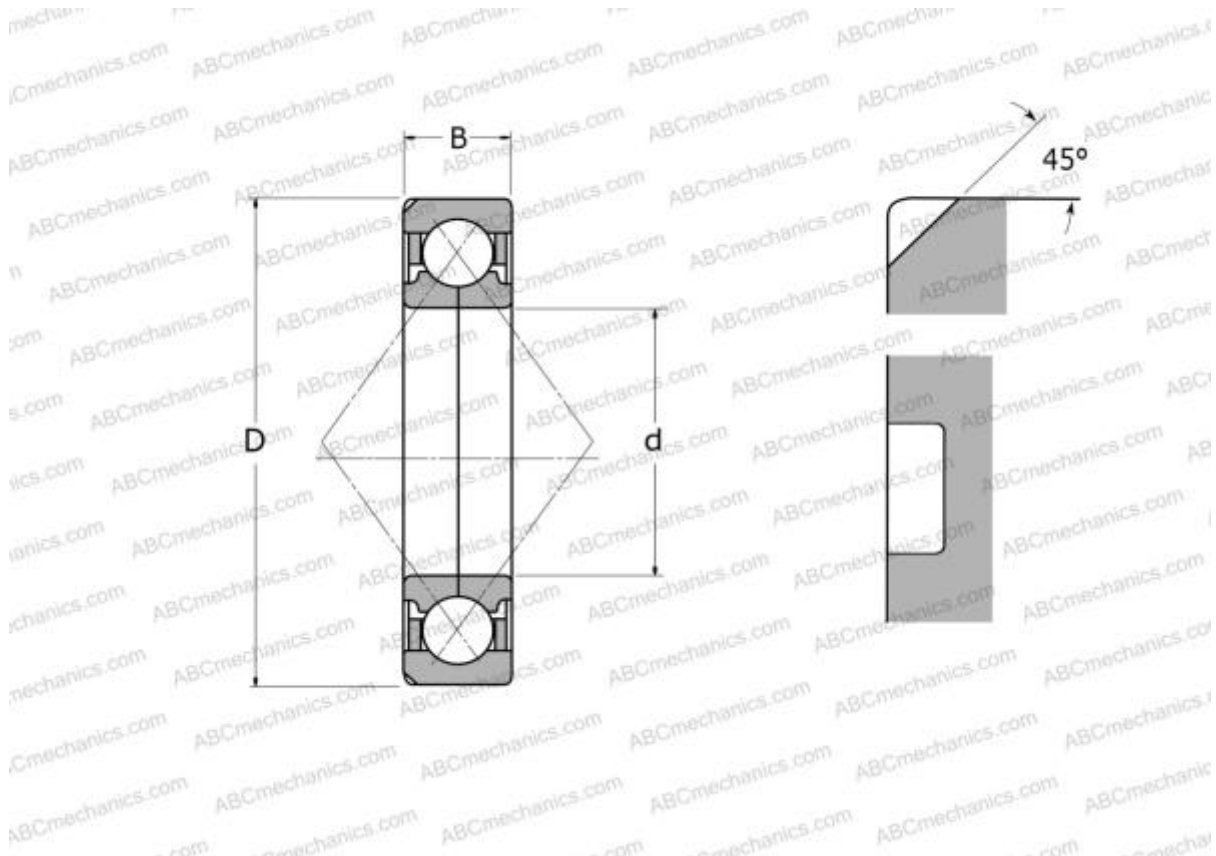


QJ 304 N2MA SKF

Four-point contact bearing

TYPE: Ball bearings, Angular contact ball bearing, Four point contact, Separable, with split inner ring, 2 locating slots in one outer ring



Technical specification

DIMENSIONS, MM

d	20,000
D	52,000
B	15,000

MANUFACTURER [SKF](#)

INTERCHANGE

ABC	QJ 304 N2MA
-----	-----------------------------

CALCULATION DATA

Basic dynamic load rating, C	32,000 kN
Basic static load rating, Co	21,600 kN
Fatigue load limit, Pu	0,850 kN
Reference speed	18000 r/min
Limiting speed	24000 r/min