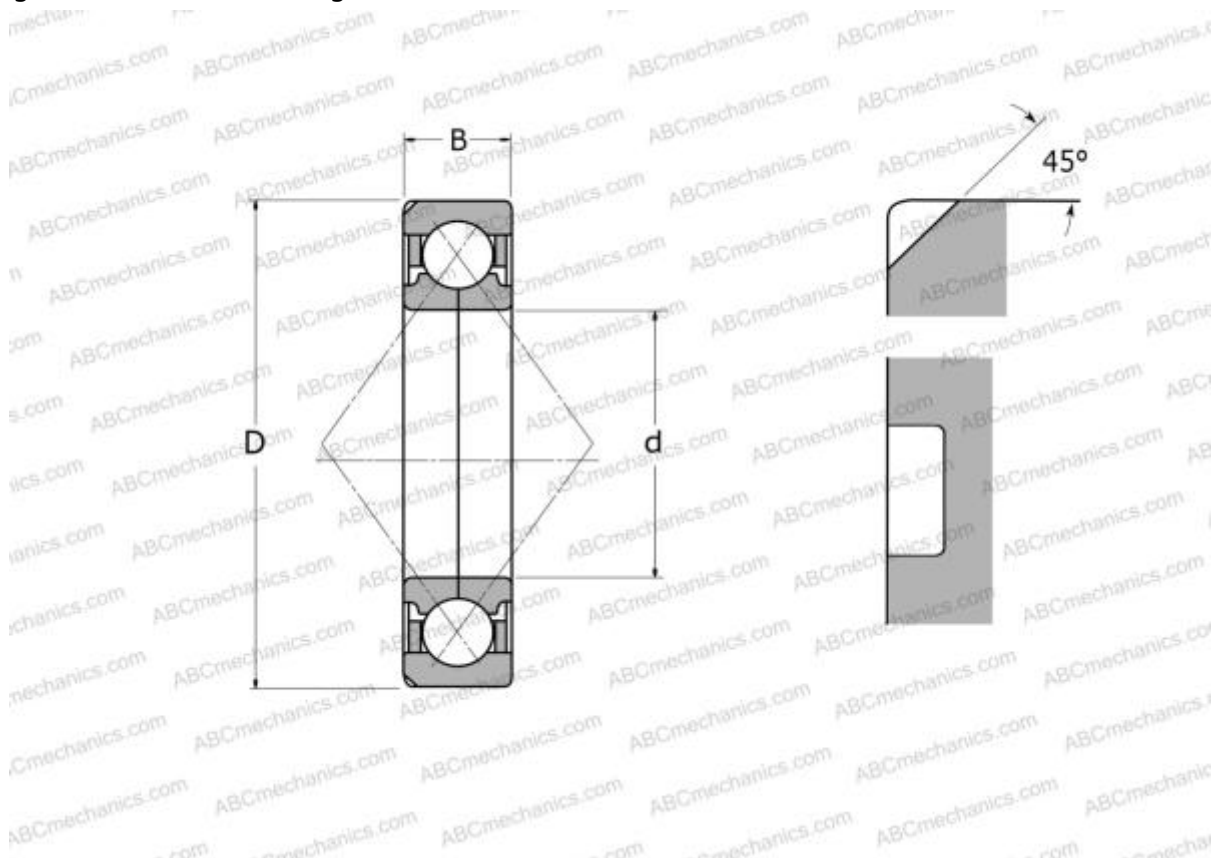


QJ 205 N2MA ABC

Four-point contact bearing

TYPE: Ball bearings, Angular contact ball bearing, Four point contact, Separable, with split inner ring, 2 locating slots in one outer ring



Technical specification

DIMENSIONS, MM

d	25,000
D	52,000
B	15,000

MANUFACTURER [ABC](#)

INTERCHANGE

SKF [QJ 205 N2MA](#)