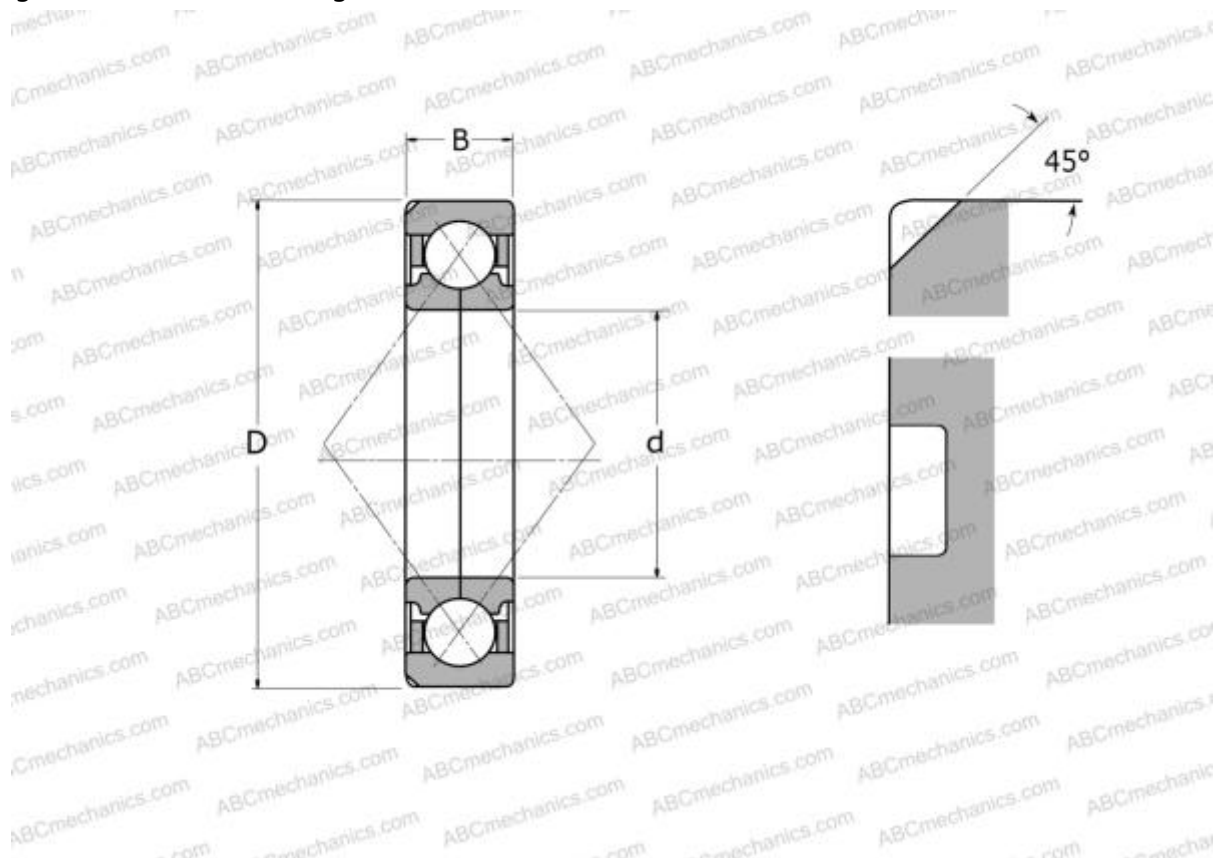


## QJ 205 N2MA SKF

Four-point contact bearing

TYPE: Ball bearings, Angular contact ball bearing, Four point contact, Separable, with split inner ring, 2 locating slots in one outer ring



### Technical specification

#### DIMENSIONS, MM

d	25,000
D	52,000
B	15,000

**MANUFACTURER** [SKF](#)

#### INTERCHANGE

ABC	<a href="#">QJ 205 N2MA</a>
-----	-----------------------------

#### CALCULATION DATA

Basic dynamic load rating, C	27,000 kN
Basic static load rating, Co	21,200 kN
Fatigue load limit, Pu	0,830 kN
Reference speed	16000 r/min
Limiting speed	22000 r/min