

1204 K ABC

Self-aligning ball bearings

TYPE: Ball bearings, Radial ball bearings, Double row, spherical, With tapered bore, With adapter sleeve

Technical specification

DIMENSIONS, MM

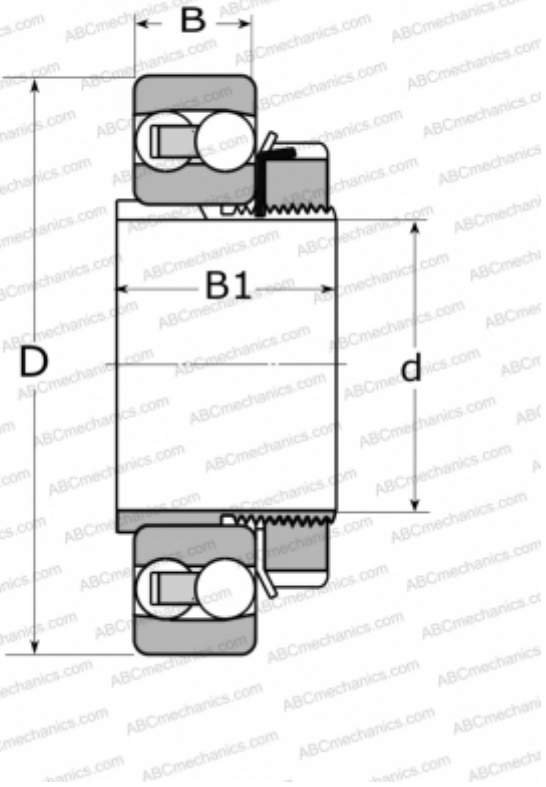
| | |
|----|--------|
| d | 20,000 |
| D | 47,000 |
| B | 14,000 |
| B1 | 24,000 |

MANUFACTURER

[ABC](#)

INTERCHANGE

| | |
|-----|-------------------------------|
| FAG | 1204-K-TVH-C3 |
| SKF | 1204 EKTN9 |



ASSOCIATED PRODUCTS

H 204