

1305 K ABC

Self-aligning ball bearings

TYPE: Ball bearings, Radial ball bearings, Double row, spherical, With tapered bore, With adapter sleeve

Technical specification

DIMENSIONS, MM

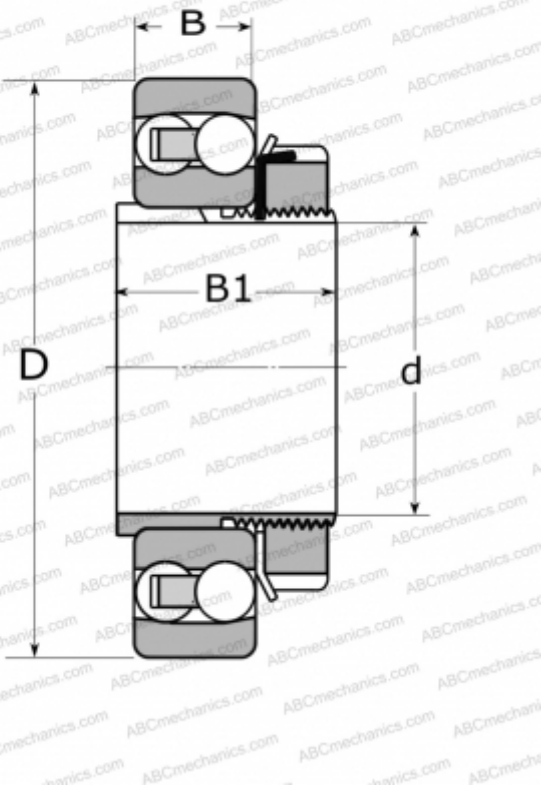
d	25,000
D	62,000
B	17,000
B1	29,000

MANUFACTURER

[ABC](#)

INTERCHANGE

FAG	1305-K-TVH-C3
SKF	1305 EKTN9



ASSOCIATED PRODUCTS

H 305