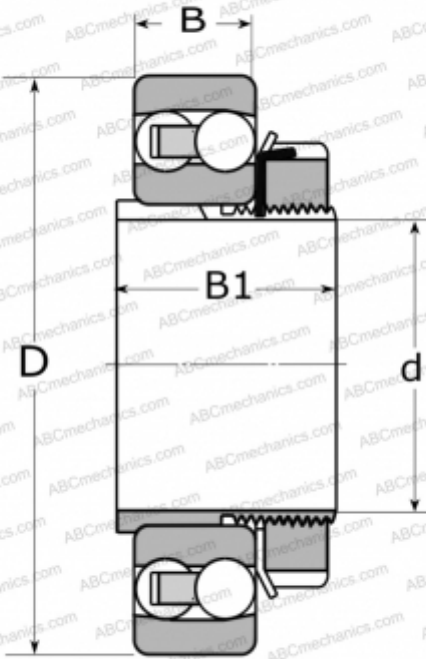


1305-K-TVH-C3 FAG

Self-aligning ball bearings

TYPE: Ball bearings, Radial ball bearings, Double row, spherical, With tapered bore, With adapter sleeve



Technical specification

DIMENSIONS, MM

d	25,000
D	62,000
B	17,000
B1	29,000

MANUFACTURER

[FAG](#)

INTERCHANGE

ABC	1305 K
SKF	1305 EKTN9

CALCULATION DATA

Basic dynamic load rating, C	18,300 kN
Basic static load rating, Co	4,950 kN
Fatigue load limit, Pu	0,310 kN
Reference speed	13900 r/min
Limiting speed	14000 r/min

ASSOCIATED PRODUCTS

H305