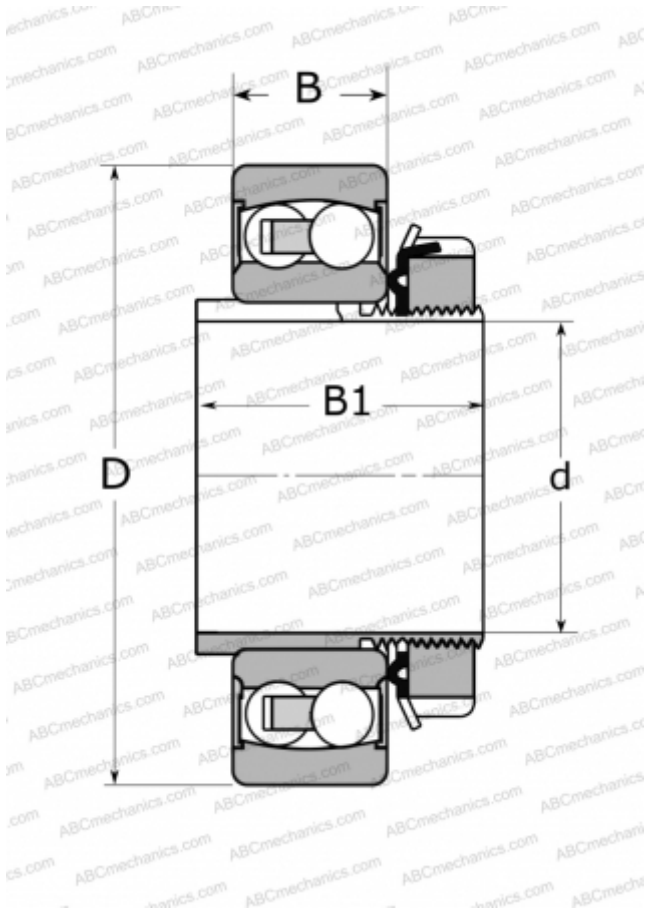


2205-K-2RS-TVH-C3 FAG

Self-aligning ball bearings

TYPE: Ball bearings, Radial ball bearings, Double row, spherical, With tapered bore, With adapter sleeve, seals 2RS



Technical specification

DIMENSIONS, MM

d	25,000
D	52,000
B	18,000
B1	29,000

MANUFACTURER

[FAG](#)

INTERCHANGE

ABC	2205 K 2RS
SKF	2205 E-2RS1KTN9

CALCULATION DATA

Basic dynamic load rating, C	12,300 kN
Basic static load rating, Co	3,250 kN
Fatigue load limit, Pu	0,203 kN
Limiting speed	9500 r/min

ASSOCIATED PRODUCTS

H305