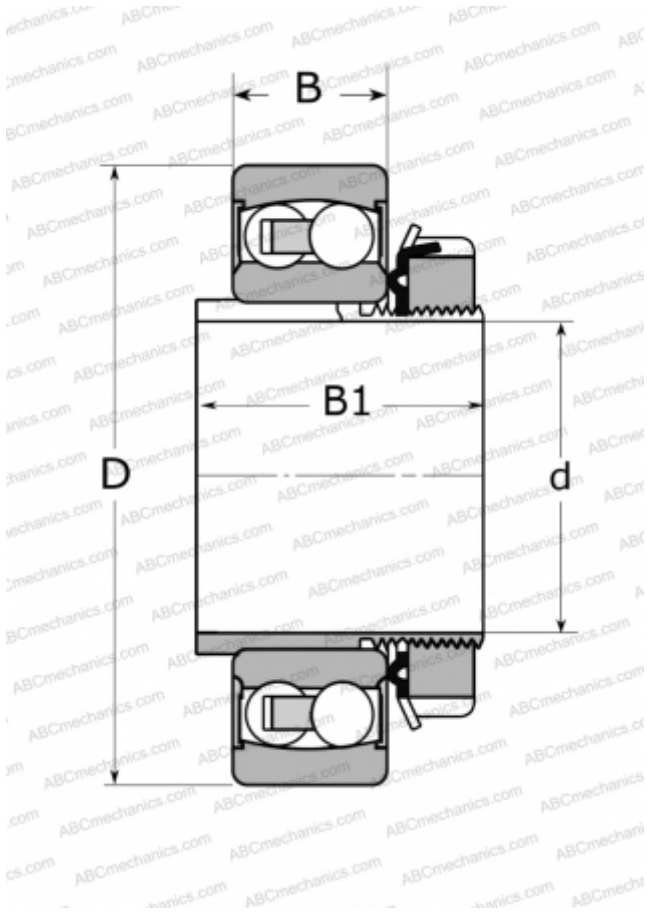


## 2207 E-2RS1KTN9 SKF

Self-aligning ball bearings

TYPE: Ball bearings, Radial ball bearings, Double row, spherical, With tapered bore, With adapter sleeve, seals 2RS



### Technical specification

#### DIMENSIONS, MM

d	35,000
D	72,000
B	23,000
B1	35,000

#### MANUFACTURER

[SKF](#)

#### INTERCHANGE

ABC	<a href="#">2207 K 2RS</a>
FAG	<a href="#">2207-K-2RS-TVH-C3</a>

#### CALCULATION DATA

Basic dynamic load rating, C	19,000 kN
Basic static load rating, Co	6,000 kN
Fatigue load limit, Pu	0,310 kN
Limiting speed	6300 r/min

#### ASSOCIATED PRODUCTS

H 307 C