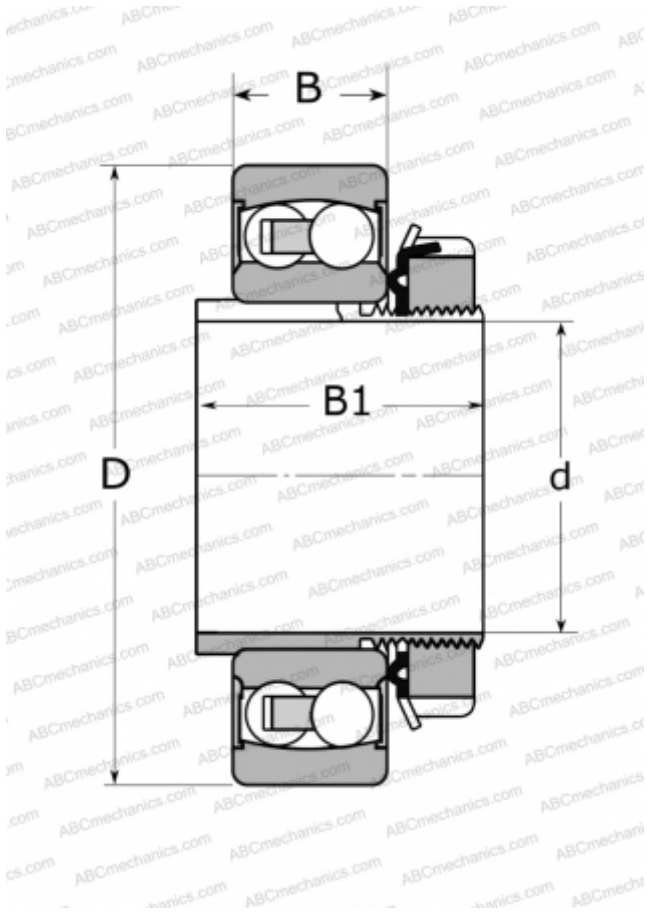


## 2208-K-2RS-TVH-C3 FAG

Self-aligning ball bearings

TYPE: Ball bearings, Radial ball bearings, Double row, spherical, With tapered bore, With adapter sleeve, seals 2RS



### Technical specification

#### DIMENSIONS, MM

d	40,000
D	80,000
B	23,000
B1	36,000

#### MANUFACTURER

[FAG](#)

#### INTERCHANGE

ABC	<a href="#">2208 K 2RS</a>
SKF	<a href="#">2208 E-2RS1KTN9</a>

#### CALCULATION DATA

Basic dynamic load rating, C	19,400 kN
Basic static load rating, Co	6,500 kN
Fatigue load limit, Pu	0,400 kN
Limiting speed	6300 r/min

#### ASSOCIATED PRODUCTS

H308