

NNF 5004 ADA-2LSV SKF

Cylindrical roller bearings

TYPE: Roller bearings, Cylindrical roller bearings, Double row, Full complement roller set, Locating bearing, central rib on outer ring, 3 ribs on inner ring, seals on both sides

Technical specification

DIMENSIONS, MM

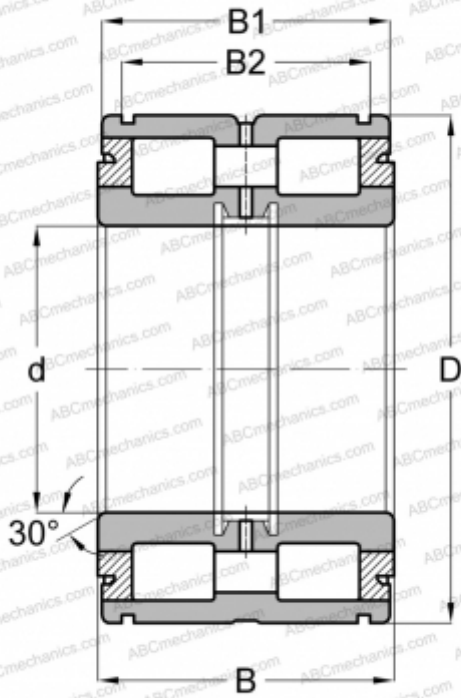
d	20,000
D	42,000
B	30,000
B1	29,000
B2	24,700

MANUFACTURER

[SKF](#)

INTERCHANGE

ABC	NNF 5004 ADA 2LSV
INA	SL045004-PP
FAG	NNF 5004 EDA 2LSV



ASSOCIATED PRODUCTS

SW 42