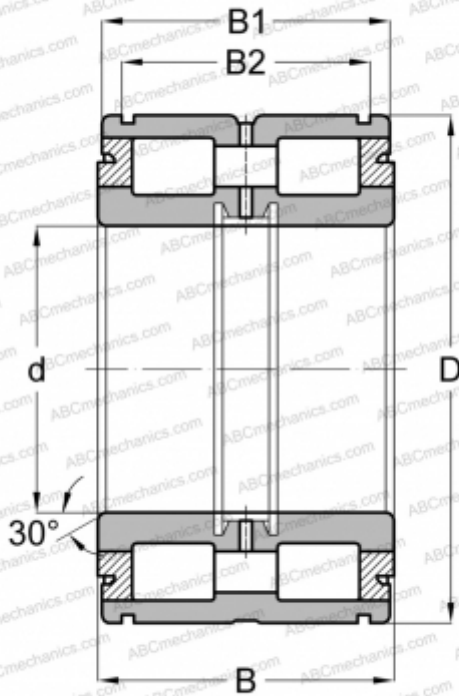


SL045005-PP INA

Cylindrical roller bearings

TYPE: Roller bearings, Cylindrical roller bearings, Double row, Full complement roller set, Locating bearing, central rib on outer ring, 3 ribs on inner ring, seals on both sides



Technical specification

DIMENSIONS, MM

d	25,000
D	47,000
B	30,000
B1	29,000
B2	24,700

MANUFACTURER

[INA](#)

INTERCHANGE

ABC	NNF 5005 ADA 2LSV
FAG	NNF 5005 ADA 2LSV
SKF	NNF 5005 ADA-2LSV

CALCULATION DATA

Basic dynamic load rating, C	46,000 kN
Basic static load rating, Co	60,000 kN
Fatigue load limit, Pu	8,100 kN
Limiting speed	3600 r/min

ASSOCIATED PRODUCTS

WRE47, 47X1.75