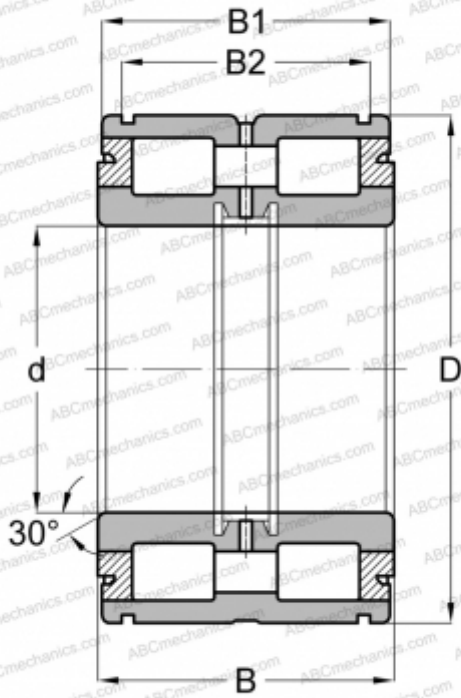


NNF 5006 B 2LSV FAG

Cylindrical roller bearings

TYPE: Roller bearings, Cylindrical roller bearings, Double row, Full complement roller set, Locating bearing, central rib on outer ring, 3 ribs on inner ring, seals on both sides



Technical specification

DIMENSIONS, MM

d	30,000
D	55,000
B	34,000
B1	33,000
B2	28,200

MANUFACTURER

[FAG](#)

INTERCHANGE

ABC	NNF 5006 ADA 2LSV
INA	SL045006-PP
SKF	NNF 5006 ADA-2LSV