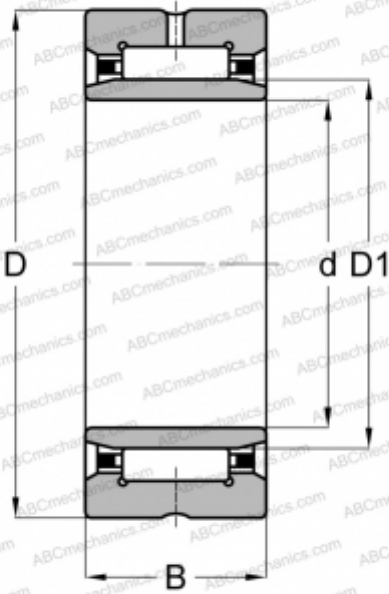


NKI5/12-TV INA

Needle roller bearings

TYPE: Roller bearings, Needle, Single row, With machined rings with flanges, with an inner ring, Metric



Technical specification

DIMENSIONS, MM

d	5,000
D	15,000
D1	8,000
B	12,000

MANUFACTURER

[INA](#)

INTERCHANGE

ABC	NKI 5/12
FAG	NKI 5/12
IKO	TAFI 51512
SKF	NKI 5/12 TN

CALCULATION DATA

Basic dynamic load rating, C	4,450 kN
Basic static load rating, Co	4,100 kN
Fatigue load limit, Pu	0,690 kN
Reference speed	32500 r/min
Limiting speed	32500 r/min