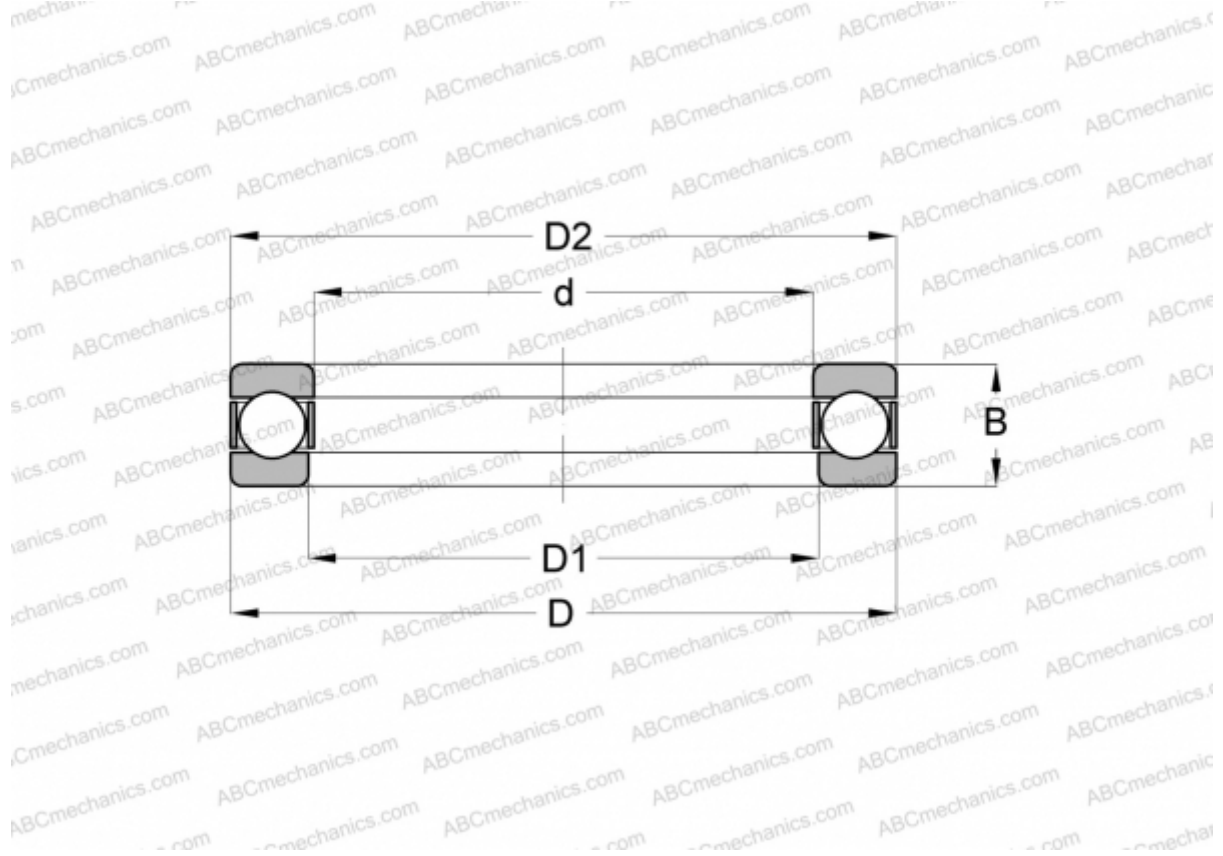


BA 4 ABC

Thrust ball bearings

TYPE: Ball bearings, Thrust ball bearing, Single direction, Separable



Technical specification

DIMENSIONS, MM

d	4,000
D	10,000
D1	4,200
D2	9,800
B	4,000

MANUFACTURER [ABC](#)

INTERCHANGE

SKF [BA 4](#)