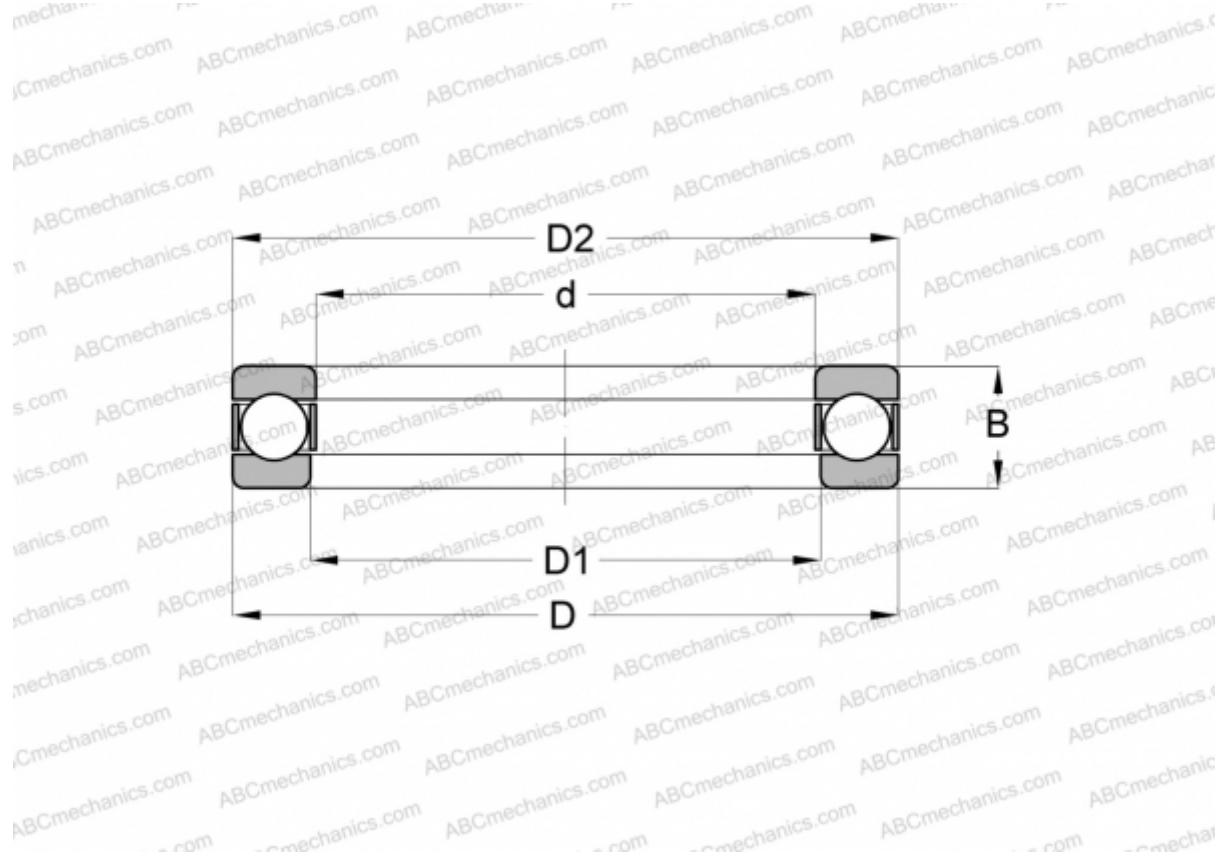


BA 4 SKF

Thrust ball bearings

TYPE: Ball bearings, Thrust ball bearing, Single direction, Separable



Technical specification

DIMENSIONS, MM

d	4,000
D	10,000
D1	4,200
D2	9,800
B	4,000

MANUFACTURER [SKF](#)

INTERCHANGE

ABC [BA 4](#)

CALCULATION DATA

Basic dynamic load rating, C	0,761 kN
Basic static load rating, Co	0,720 kN
Fatigue load limit, Pu	0,027 kN
Reference speed	7000 r/min
Limiting speed	10000 r/min