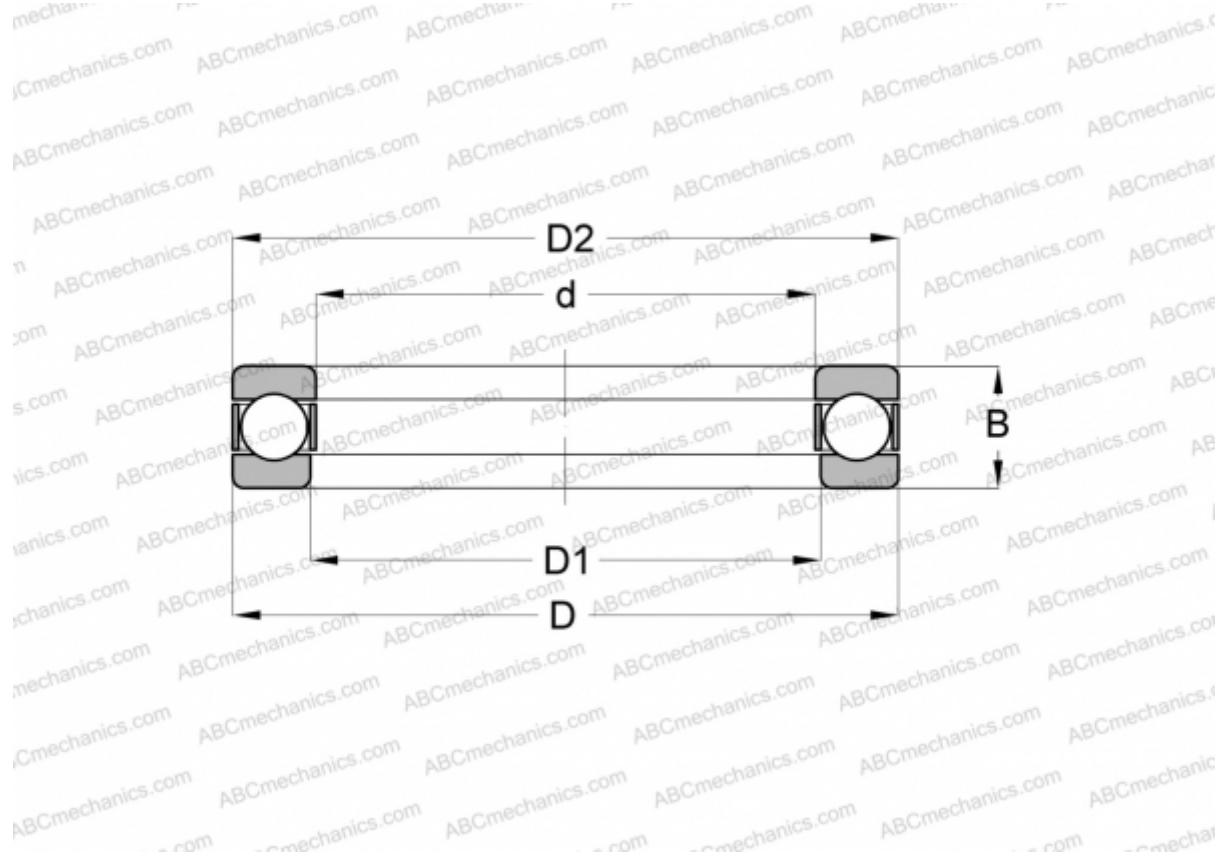


BA 5 SKF

Thrust ball bearings

TYPE: Ball bearings, Thrust ball bearing, Single direction, Separable



Technical specification

DIMENSIONS, MM

d	5,000
D	12,000
D1	5,200
D2	11,800
B	4,000

MANUFACTURER

[SKF](#)

INTERCHANGE

ABC	BA 5
-----	----------------------

CALCULATION DATA

Basic dynamic load rating, C	0,852 kN
Basic static load rating, Co	0,965 kN
Fatigue load limit, Pu	0,036 kN
Reference speed	6700 r/min
Limiting speed	9500 r/min